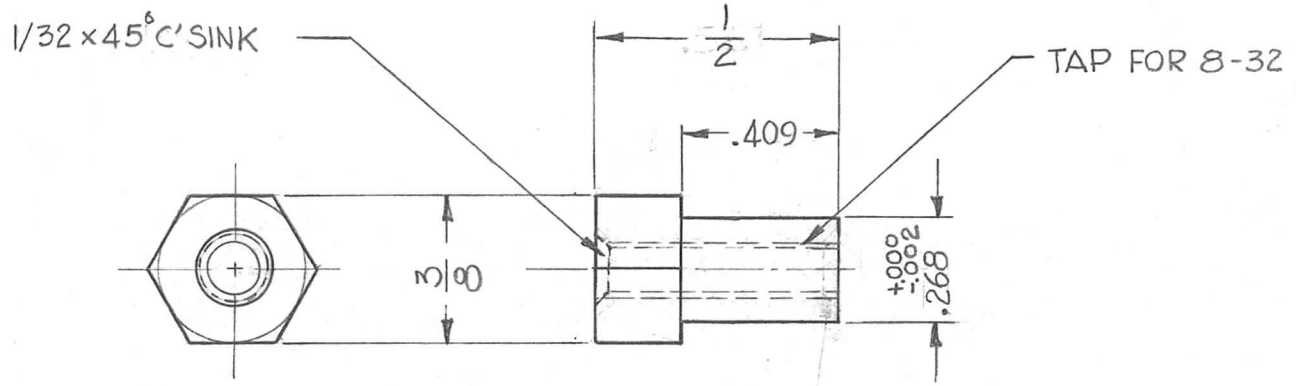


THE CONTENTS OF THIS DRAWING ARE THE EXCLUSIVE PROPERTY OF THE TECHNICAL MATERIEL CORP. ITS UNAUTHORIZED USE OR REPRODUCTION IN WHOLE OR IN PART IS STRICTLY FORBIDDEN.

REQ. PER UNIT	USED ON		
	MODEL	ASS'Y. NO.	DATE
1	HFR-1		7-26-62

PO-245 A



REF. RADIO SWITCH CORPORATION (S-20387) MODIFIED

							REQ.	ITEM	PART NO.	KRUY	DESCRIPTION	SYMBOL
											THE TECHNICAL MATERIEL CORP. MAMARONECK, NEW YORK	
									STAINLESS		SPACER, THREADED	
A	1/2 DIM. WAS .561 (SIDE)	12-7-62	7825									
SYM	DESCRIPTION	DATE	CH. NO.	DRAFTS	CHECKER	ENG. APP.	MATERIAL					
UNLESS OTHERWISE SPECIFIED: DIMENSIONS ARE IN INCHES		SCALE: DO NOT SCALE				STAINLESS			G.D.L			
TOLERANCES ON FRAC. ± 1/64 DEC. ± .005 ANGLES ± 1/2°		MAXIMUM ALLOWABLE TOLERANCES HAVE BEEN DETERMINED AND ANY DEVIATIONS WILL BE CAUSE FOR REJECTION. REMOVE ALL BURRS AND SHARP EDGES				TYPE & TEMPER 3104 PASSIVATE		HEATTREAT. SPEC.	DRAWN	CHECKED	FINAL APPROVAL	
						FINISH & SPEC. NO.		ELEC. DES. APP.	MECH. DES. APP.	PO-245	A	