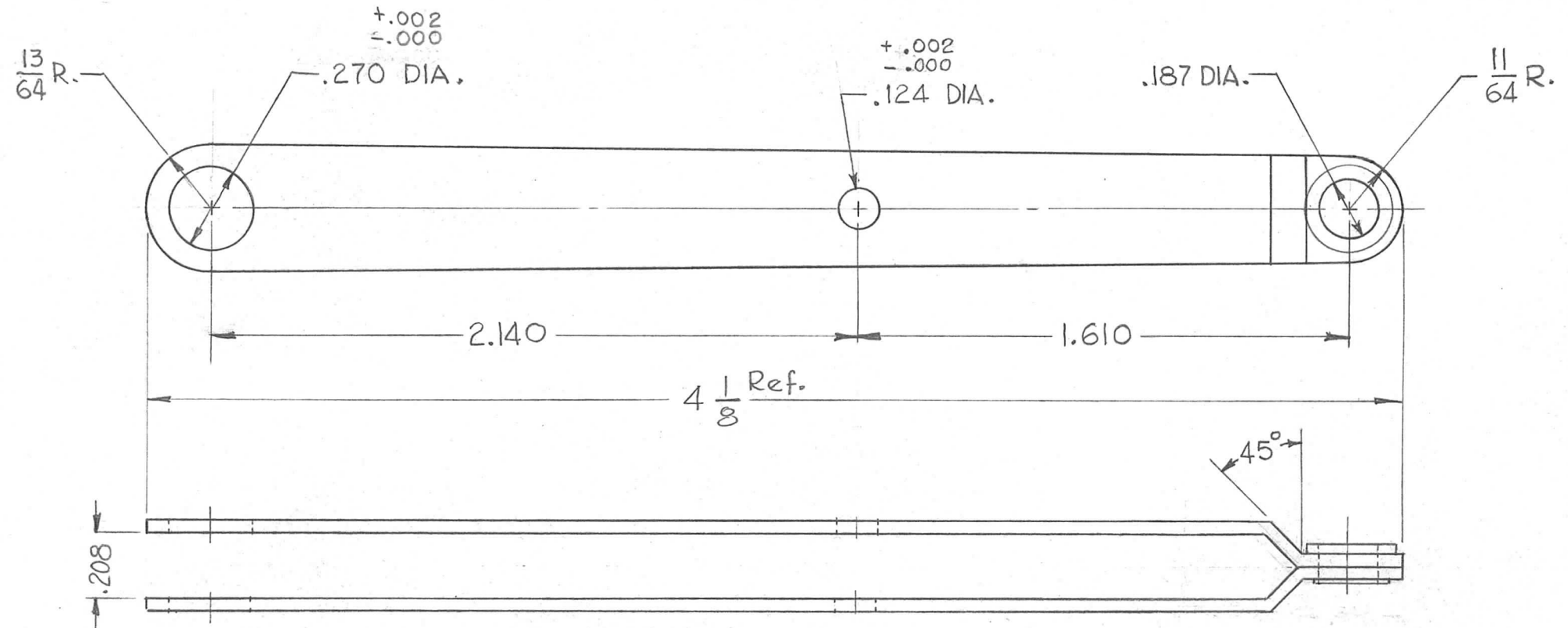


THE CONTENTS OF THIS DRAWING ARE THE EXCLUSIVE PROPERTY OF THE TECHNICAL MATERIEL CORP. ITS UNAUTHORIZED USE OR REPRODUCTION IN WHOLE OR IN PART IS STRICTLY FORBIDDEN.

|               |         |            |
|---------------|---------|------------|
| REQ. PER UNIT | USED ON |            |
|               | MODEL   | ASS'Y. NO. |
| 1             | HFR-1   | DATE       |
|               |         | 7-26-62    |

PO-241



REF: RADIO SWITCH CORPORATION (S-20451)

|  |             |   |         |        |         |           |                    |                  |                 |                              |        |  |
|--|-------------|---|---------|--------|---------|-----------|--------------------|------------------|-----------------|------------------------------|--------|--|
|  |             |   |         |        |         |           | REQ. ITEM          | PART NO.         | KRUY            | DESCRIPTION                  | SYMBOL |  |
|  |             |   |         |        |         |           |                    | .043 THK         |                 | THE TECHNICAL MATERIEL CORP. |        |  |
|  |             |   |         |        |         |           |                    | STOCK SIZE       |                 | MAMARONECK, NEW YORK         |        |  |
|  |             |   |         |        |         |           |                    | STEEL, STAINLESS |                 | ARM, DETENT                  |        |  |
|  |             |   |         |        |         |           |                    | MATERIAL         |                 |                              |        |  |
| SYM                                    | DESCRIPTION | DATE  | CH. NO. | DRAFTS | CHECKER | ENG. APP. | #303               |                  | G.D.L           | Hoe                          | BP     |  |
| UNLESS OTHERWISE SPECIFIED:            |             | SCALE: DO NOT SCALE   |         |        |         |           |                    |                  |                 |                              |        |  |
| DIMENSIONS ARE IN INCHES               |             | MAXIMUM ALLOWABLE TOLERANCES HAVE BEEN DETERMINED AND ANY DEVIATIONS WILL BE CAUSE FOR REJECTION. |         |        |         |           |                    |                  |                 |                              |        |  |
| TOLERANCES ON                          |             | REMOVE ALL BURRS AND SHARP EDGES  |         |        |         |           |                    |                  |                 |                              |        |  |
| FRAC. ± 1/64 DEC. ± .005 ANGLES ± 1/2° |             |   |         |        |         |           | S104 PASSIVATE     |                  |                 |                              |        |  |
|  |             |   |         |        |         |           | FINISH & SPEC. NO. |                  | ELEC. DES. APP. | MECH. DES. APP.              | PO-241 |  |