

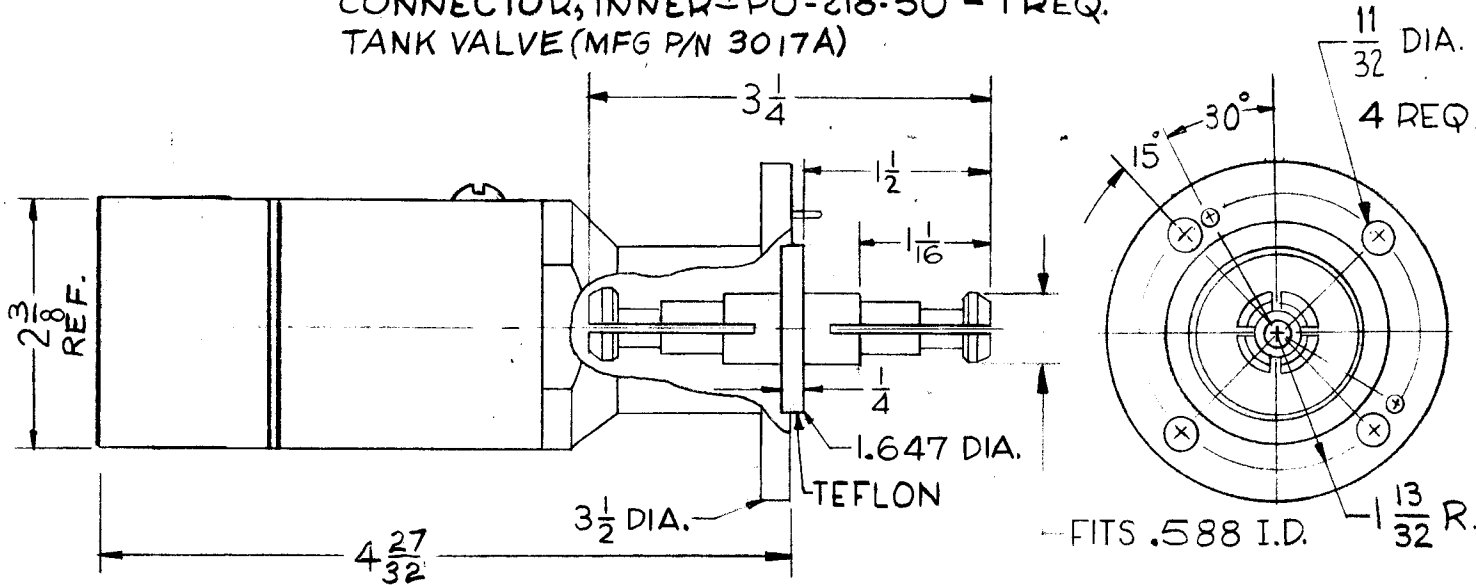
STANDARD DRAWING

C
PO-207

THE CONTENTS OF THIS DRAWING ARE THE EXCLUSIVE PROPERTY OF THE TECHNICAL MATERIEL CORP. ITS UNAUTHORIZED USE OR REPRODUCTION IN WHOLE OR IN PART IS STRICTLY FORBIDDEN.

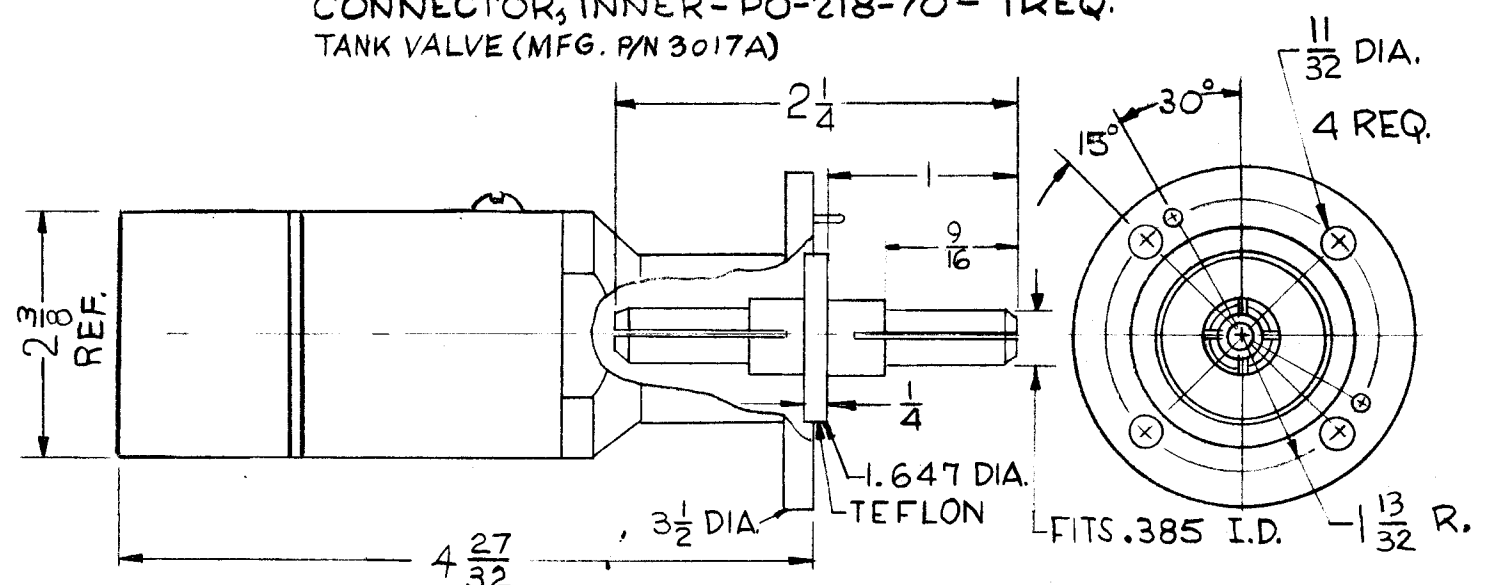
TMC PART NO.	IMPEDANCE	MFR. PART NO.
PO-207-50	50 OHMS	87R
PO-207-70	75 OHMS	77R-75

SUPPLIED BY MFR.
 O-RING - 1 REQ.
 SCREW, MACHINE - SCHH3118NR24 - 4 REQ.
 WASHER, LOCK, SPLIT - LWS31HRN - 4 REQ.
 NUT, HEX - NTH3118NR16 - 4 REQ.
 CONNECTOR, INNER - PO-218-50 - 1 REQ.
 TANK VALVE (MFG P/N 3017A)

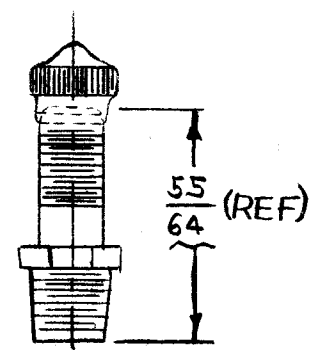


PO-207-50

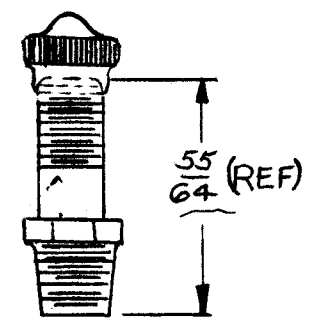
SUPPLIED BY MFR.
 O-RING - 1 REQ.
 SCREW, MACHINE - SCHH3118NR24 - 4 REQ.
 WASHER, LOCK, SPLIT - LWS31HRN - 4 REQ.
 NUT, HEX - NTH3118NR16 - 4 REQ.
 CONNECTOR, INNER - PO-218-70 - 1 REQ.
 TANK VALVE (MFG P/N 3017A)



PO-207-70



TANK VALVE



TANK VALVE

C	MFG P/N 87R WAS 77R. TANK VALVE (MFG P/N 3017A), TANK VALVE, REF, GROOVE ADDED. 2 27/32 WAS 6 45/64. VALVE ON UNIT DELETED.	6-22-65	14276	DVV	JCB	J
B	75 WAS 70 (CHART)	7-13-62	6912	J	JCB	
A	REDRAWN & REVISED FROM I SIZE	1-18-62	6101	EG	JCB	

UNLESS OTHERWISE SPECIFIED:
 DIMENSIONS ARE IN INCHES
 TOLERANCES ON FRACTIONS ± 1/64 DECIMALS ± .005 ANGLES ± 1/2°

SCALE: S401-31

MAXIMUM ALLOWABLE TOLERANCES HAVE BEEN DETERMINED AND ANY DEVIATIONS WILL BE CAUSE FOR REJECTION. REMOVE ALL BURRS AND SHARP EDGES

REQ. PER UNIT	MODEL	SECTION	ASS'Y. NO.	DATE
	TRC-5000			1-18-62

REQ.	ITEM	PART NO.	DESCRIPTION	SYMBOL
			THE TECHNICAL MATERIEL CORP. MAMARONECK, NEW YORK	
			STOCK SIZE	
			BRASS	
			MATERIAL	
			CONNECTOR, CABLE, ELECTRICAL HELIAX 1-5/8 EIA, END	
			TYPE & TEMPER	
			HEAT TREAT. SPEC.	
			DRAWN	
			CHECKED	
			FINAL APPROVAL	
			PO-207	C
			ELEC. DES. APP.	
			MECH. DES. APP.	