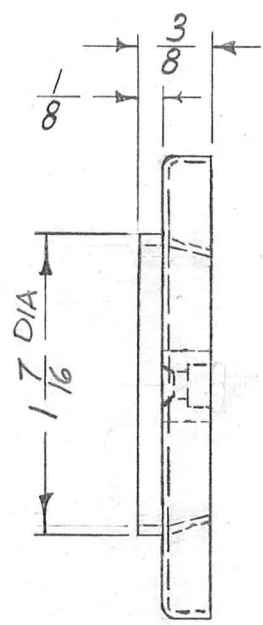
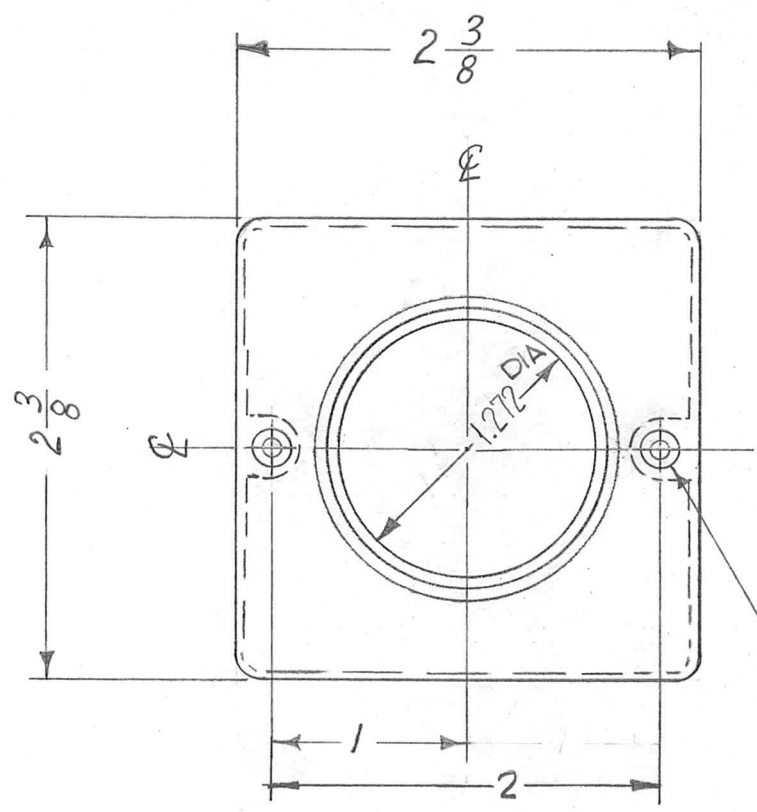


REQ. PER. UNIT	USED ON			PO-197	A
	MODEL	ASS'Y. NO.	DATE		
1	SBG	CLL-1	8-2-60		



SUPPLIED BY MFG.  
TWO 4-40 X 3/8 LONG  
OVAL HEAD SCREWS,  
BRASS, BLACK FINISH

C'SINK FOR # 4  
OVAL HEAD SCREW  
(2 REQ.)

REF. VALUE 15007-2

REQ.	ITEM	PART NO.	DESCRIPTION			SYMBOL	
			THE TECHNICAL MATERIEL CORP.				
			MAMARONECK, NEW YORK				
			BEZEL, CRT				
A	PICTORIAL CLARIFIED (1.272 WAS 1-5/16)	10-28-66 17113	<i>[Signature]</i>	<i>[Signature]</i>	<i>[Signature]</i>		
ISSUE	ITEM	CHANGED FROM	DATE	CH. NO.	DRAFTS	CHECKER	ENG. APP.
TOLERANCES			SCALE: S401-101 (80071-B)				
DEC. DIM. ±			MAXIMUM ALLOWABLE TOLERANCES HAVE BEEN DETERMINED AND ANY DEVIATIONS WILL BE CAUSE FOR REJECTION.				
FRAC. DIM. ± 1/64			REMOVE ALL BURRS AND SHARP EDGES				
ANGULAR DIM. ±							
BLACK			<i>[Signature]</i>	<i>[Signature]</i>	<i>[Signature]</i>		
TYPE & TEMPER		HEATTREAT. SPEC.	DRAWN	CHECKED	FINAL APPROVAL		
				<i>[Signature]</i>	PO-197		
FINISH & SPEC. NO.			ELEC. DES. APP	MECH. DES. APP	A		