

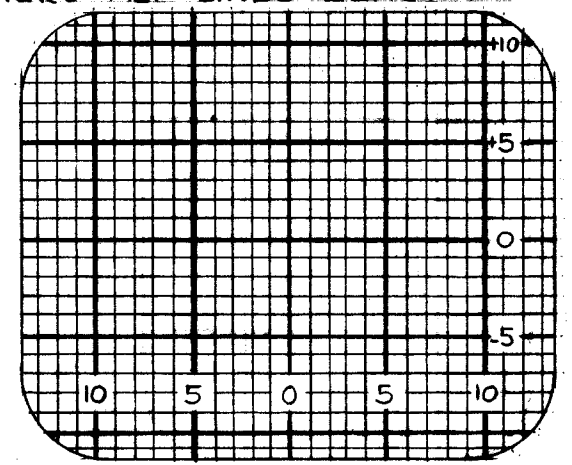
NOTICE TO PERSONS RECEIVING THIS DRAWING

THE TECHNICAL MATERIEL CORPORATION claims proprietary right in the material disclosed hereon. This drawing is loaned to you for information only and is not to be reproduced or used for manufacture or any other purpose without permission from THE TECHNICAL MATERIEL CORPORATION to the user. This drawing is loaned for mutual assistance and is subject to recall at any time.

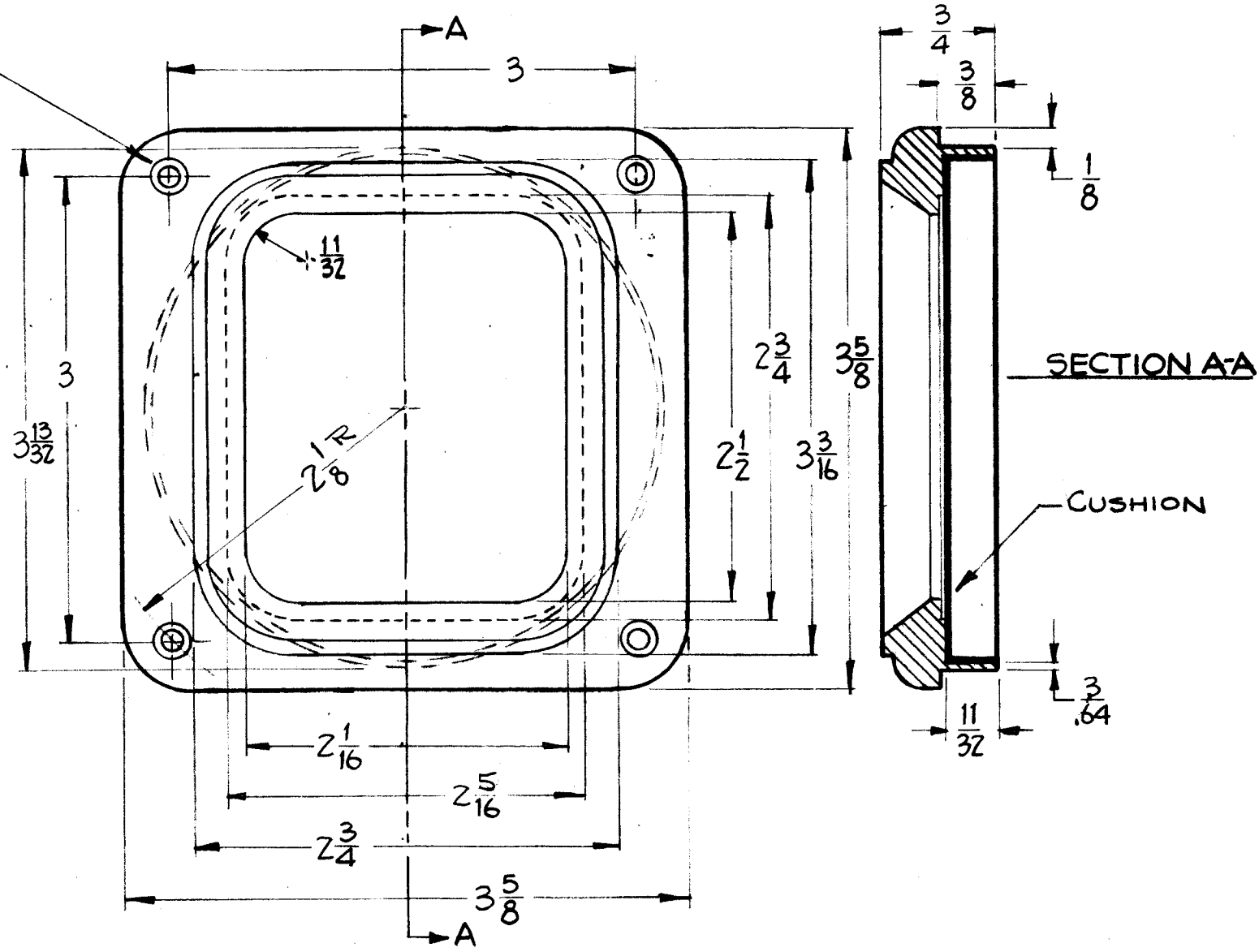
Property of:
THE TECHNICAL MATERIEL CORPORATION
MAMARONECK, NEW YORK

- NOTES:
PANEL CUT 3-7/16 DIA. (1).
MTG. HOLES 6-32 TH'D (4).
GREEN LIGHT FILTER INCLUDED. (SEE DETAIL)

BEZEL SUPPLIED WITH ONE CLEAR LIGHT FILTER MARKED AS SHOWN, AND ONE GREEN LIGHT FILTER UNMARKED. GRADUATED 10 LINES TO THE INCH, WITH THE 1/2 INCH LINES HEAVIER THAN THE OTHERS ALL LINES BLACK.



*26 DRILL
MTG. HOLES
C'TRSUNK (4)



REF: MATES W/ TMC # TS-148

ISSUE	ITEM	CHANGED FROM	DATE	CH. NO.	DRAFTS	CHECKER	ENG. APP.
A	1	BEZEL DETAIL CLARIFIED	7-20-60	2617	CS	JLD	[Signature]

TOLERANCES: SCALE: S-401-101 (K 80073-C)

DEC. DIM. ±
FRAC. DIM. ±
ANGULAR DIM. ±

MAXIMUM ALLOWABLE TOLERANCES HAVE BEEN DETERMINED AND ANY DEVIATIONS WILL BE CAUSE FOR REJECTION. REMOVE ALL BURRS AND SHARP EDGES

REQ. PER UNIT	MODEL	PROJECT NO.	ASS'Y. NO.	DATE
1	DVM-4			2-6-62
1	DVM-Z			5-11-60

USED ON

REQ. ITEM	PART NO.	DESCRIPTION	SYMBOL
		THE TECHNICAL MATERIEL CORP. MAMARONECK, NEW YORK	
STOCK SIZE		ALUMINUM	3" CRT, BEZEL FOR FLAT FACE
MATERIAL			
TYPE & TEMPER		DULL BLACK	
HEAT TREAT. SPEC.			
FINISH & SPEC. NO.			

DRAWN: [Signature] CHECKED: [Signature] FINAL APPROVAL: [Signature]

ELEC. DES. APP. MECH. DES. APP.

PO-196 A