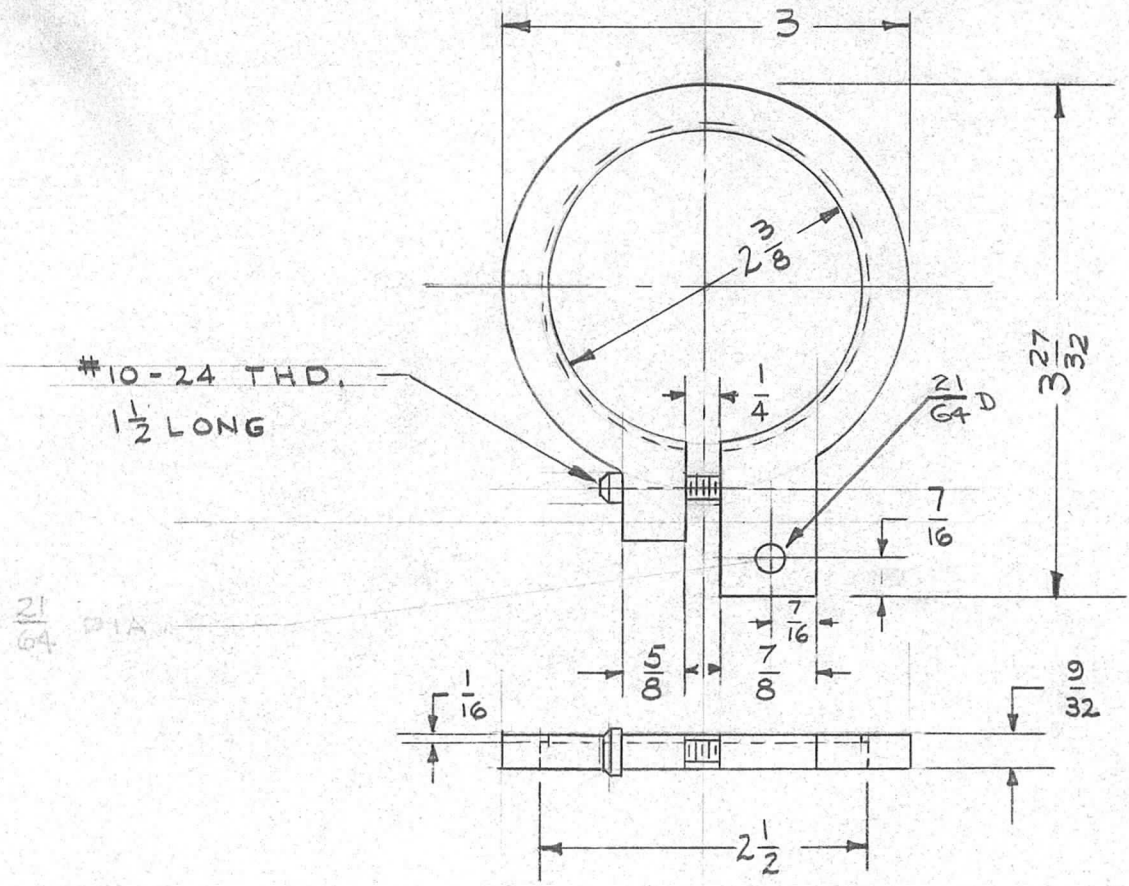


REQ. PER. UNIT	USED ON			PO-190	A
	MODEL	ASS'Y. NO.	DATE		
1	GPT-40K		12-10-59		



REF: FOR USE W/ MACHLETT TUBE TYPE #6697

ISSUE	ITEM	CHANGED FROM	DATE	CH. NO.	DRAFTS	CHECKER	ENG. APP.	REQ. ITEM	PART NO.	DESCRIPTION	SYMBOL
A	1	ADDED FINISH & MATERIAL PRI. A	7-5-62	6881	R.T.	<i>[Signature]</i>	<i>[Signature]</i>			THE TECHNICAL MATERIEL CORP. MAMARONECK, NEW YORK	
TOLERANCES								SCALE: 50-84 (F-17488)		CONNECTOR	
DEC. DIM. ± FRAC. DIM. ± ANGULAR DIM. ±								COPPER		CATHODE, SMALL	
PRI. A								MATERIAL		DRAWN	
MAXIMUM ALLOWABLE TOLERANCES HAVE BEEN DETERMINED AND ANY DEVIATIONS WILL BE CAUSE FOR REJECTION. REMOVE ALL BURRS AND SHARP EDGES								RHODIUM		CHECKED	
								TYPE & TEMPER		FINAL APPROVAL	
								HEAT TREAT. SPEC.		ELEC. DES. APP	
								FINISH & SPEC. NO.		MECH. DES. APP	
										PO-190 A	