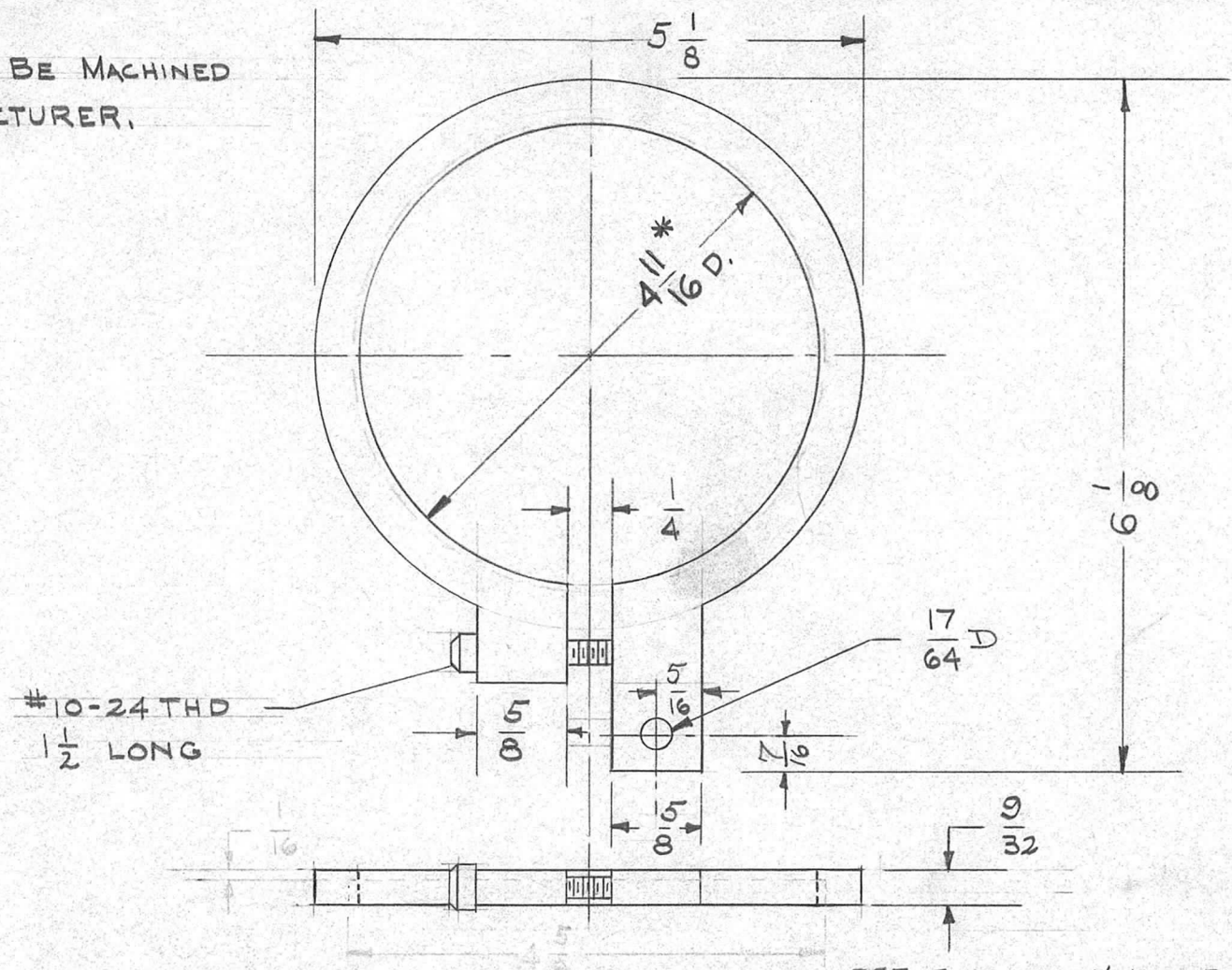


REQ. PER. UNIT	USED ON		
	MODEL	ASS'Y. NO.	DATE
	GPT-40K		12-10-59

PO-189

NOTE \*  
\* 4 1/16 ID TO BE MACHINED BY MANUFACTURER.



REF: FOR USE W/MACHLETT TUBE TYPE #6697

REQ.	ITEM	PART NO.	DESCRIPTION		SYMBOL					
C	1	ADDED MODEL # GP40K	7-17-63	9648	AK. <i>MP.</i>	THE TECHNICAL MATERIEL CORP. MAMARONECK, NEW YORK CONNECTOR, GRID TERMINAL				
B	1	ADDED FINISH, MATERIAL & PRI. A.	7-5-62	6881	RT <i>MP.</i>					
A	1	4 1/16 WAS 4 1/2 4 5/8 - 1/16 DELETED	7-1-60	2588	<i>MP.</i>					
ISSUE	ITEM	CHANGED FROM	DATE	CH. NO.	DRAFTS	CHECKER	ENG. APP.			
TOLERANCES			SCALE: S40184 (F17397)							
DEC. DIM. ±		PRI. A	MAXIMUM ALLOWABLE TOLERANCES HAVE BEEN DETERMINED AND ANY DEVIATIONS WILL BE CAUSE FOR REJECTION. REMOVE ALL BURRS AND SHARP EDGES							
FRAC. DIM. ±										
ANGULAR DIM. ±										
TYPE & TEMPER		HEATTREAT. SPEC.		DRAWN		CHECKED		FINAL APPROVAL		
RHODIUM				<i>ELM</i>		<i>MP.</i>		<i>MP.</i>		
FINISH & SPEC. NO.		ELEC. DES. APP		MECH. DES. APP		PO-189		C		