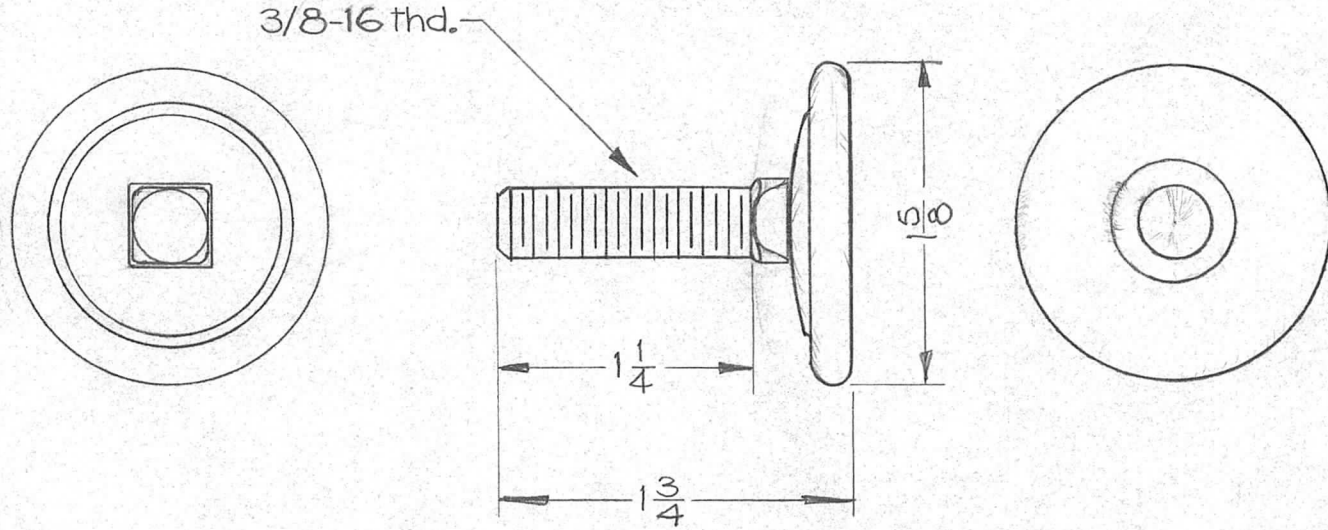


REQ. PER. UNIT	USED ON			PO-188
	MODEL	ASS'Y. NO.	DATE	
4	CON-		11-30-59	

NOTE:
To be purchased without
Nuts. (Mfr. P/N Includes Nut)



								REQ.	ITEM	PART NO.	DESCRIPTION			SYMBOL	
											THE TECHNICAL MATERIEL CORP.				
											MAMARONECK, NEW YORK				
											GLIDE, LEVELING, TYPE				
											MATERIAL				
ISSUE	ITEM	CHANGED FROM	DATE	CH. NO.	DRAFTS	CHECKER	ENG. APP.								
TOLERANCES			SCALE:		S-401-82 (VL-003)										
DEC. DIM. ± FRAC. DIM. ± ANGULAR DIM. ±			MAXIMUM ALLOWABLE TOLERANCES HAVE BEEN DETERMINED AND ANY DEVIATIONS WILL BE CAUSE FOR REJECTION. REMOVE ALL BURRS AND SHARP EDGES					TYPE & TEMPER HEATTREAT. SPEC.		DRAWN		CHECKED		FINAL APPROVAL	
								BRASS PLATED						PO-188	
								FINISH & SPEC. NO.		ELEC. DES. APP		MECH. DES. APP			