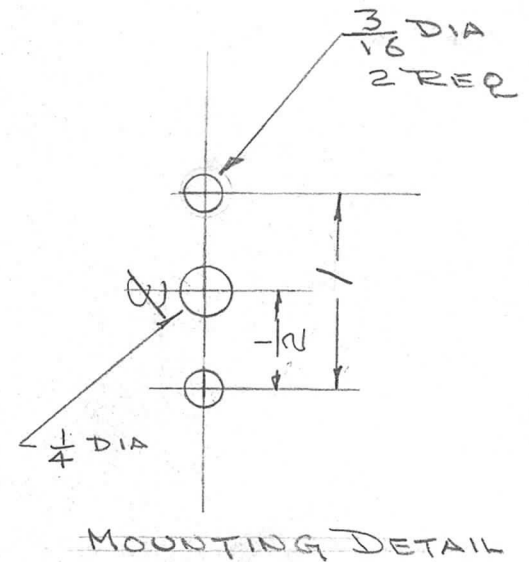
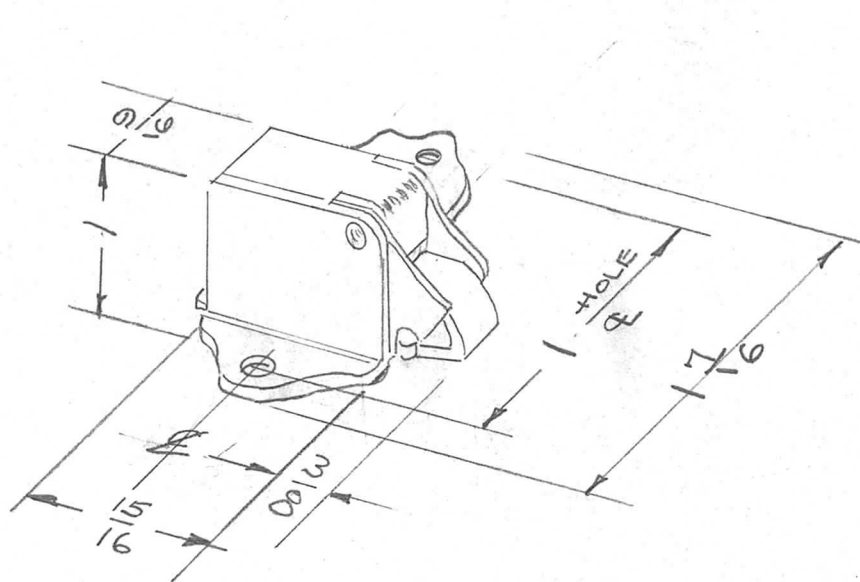


REQ. PER. UNIT	USED ON			PO-177
	MODEL	ASS'Y. NO.	DATE	
2	UTD-2		4-23-59	



MECHANICAL SPEC.  
 BASE: 1 7/16 X 15/16  
 BOLT PROJECTION: 3/8  
 PLUNGER HOLE: .175 DIA  
 MTG. SCREW HOLES: 3/16 DIA  
 MATES W/ TMC # HA-112  
 REF: AMEROCK CORP (P/O 9423)

REQ.	ITEM	PART NO.	DESCRIPTION			SYMBOL	
			THE TECHNICAL MATERIEL CORP.				
			MAMARONECK, NEW YORK				
			CATCH, MECHANISM				
			"WINGED BOLT"				
			STOCK SIZE				
			MATERIAL				
			STEEL				
			ZINC PLATED				
			FINISH & SPEC. NO.				
ISSUE	ITEM	CHANGED FROM	DATE	CH. NO.	DRAFTS	CHECKER	ENG. APP.
TOLERANCES			SCALE:				
DEC. DIM. ±			MAXIMUM ALLOWABLE TOLERANCES HAVE BEEN DETERMINED AND ANY DEVIATIONS WILL BE CAUSE FOR REJECTION.				
FRAC. DIM. ±			REMOVE ALL BURRS AND SHARP EDGES.				
ANGULAR DIM. ±							
			TYPE & TEMPER	HEAT TREAT. SPEC.	DRAWN	CHECKED	FINAL APPROVAL
							PO-177
					ELEC. DES. APP	MECH. DES. APP	