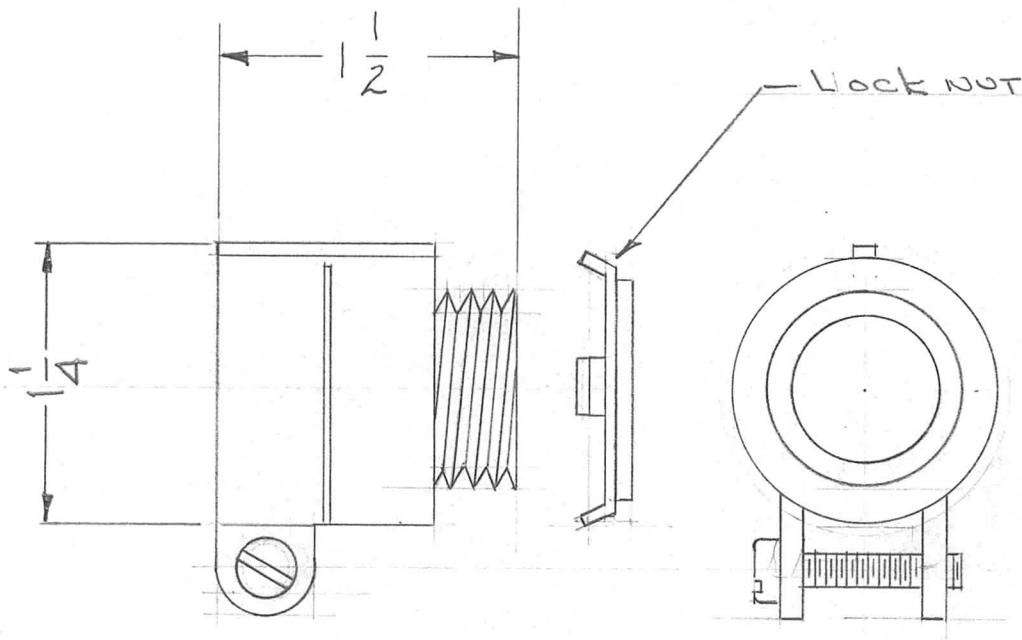


REQ. PER. UNIT	USED ON			PO-175	A
	MODEL	ASS'Y. NO.	DATE		
2	GPT-10K	AF-100	4/15/59		



							REQ.	ITEM	PART NO.	DESCRIPTION	SYMBOL			
									THE TECHNICAL MATERIEL CORP.					
									MAMARONECK, NEW YORK					
									SQUEEZE CONNECTOR 3/4					
A	1	1-1/4" Dim added	6/8/59		J.C.B.		MATERIAL							
ISSUE ITEM CHANGED FROM			DATE	CH. NO.	DRAFTS	CHECKER	ENG. APP.	MATERIAL						
TOLERANCES			SCALE: S-401-35(255)				TYPE & TEMPER		HEATTREAT. SPEC.	DRAWN	CHECKED	FINAL APPROVAL		
DEC. DIM. ±			MAXIMUM ALLOWABLE TOLERANCES HAVE BEEN DETERMINED AND ANY DEVIATIONS WILL BE CAUSE FOR REJECTION. REMOVE ALL BURRS AND SHARP EDGES				TABOLITE					PO-175		
FRAC. DIM. ±							FINISH & SPEC. NO.		ELEC. DES. APP	MECH. DES. APP				A
ANGULAR DIM. ±														