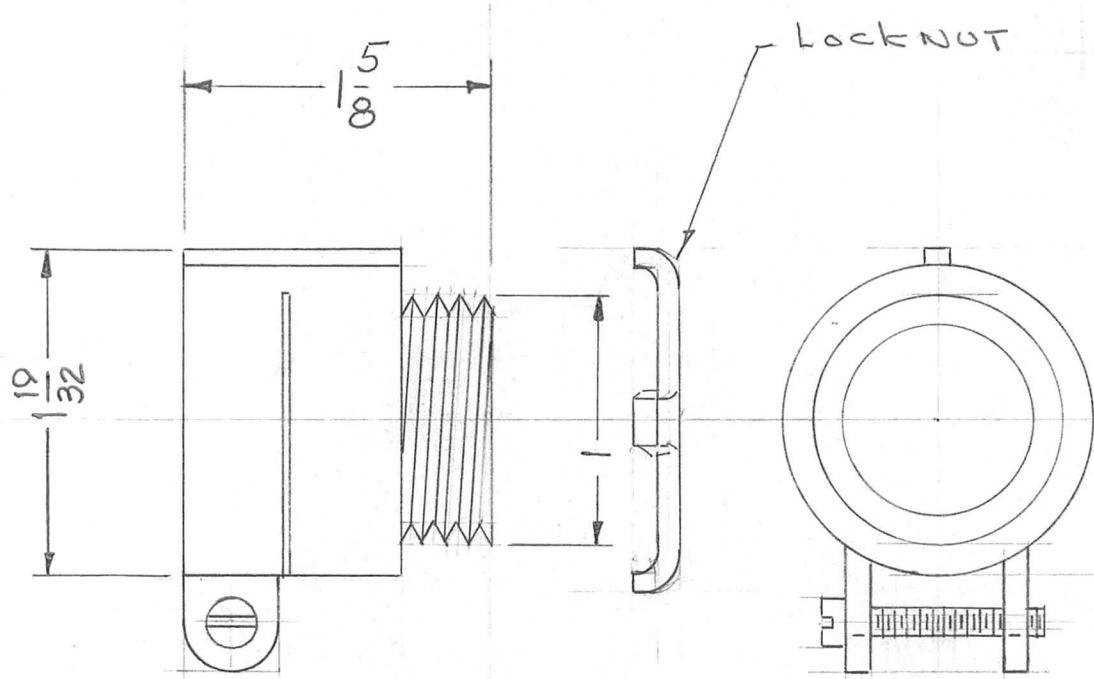


REQ. PER. UNIT	USED ON			PO-174 A
	MODEL	ASS'Y. NO.	DATE	
2	GPT-10K	AF-100	4/15/59	



NOTE:
FOR 1" FLEXIBLE STEEL
CONDUIT.

							REQ.	ITEM	PART NO.	DESCRIPTION	SYMBOL								
									THE TECHNICAL MATERIEL CORP.										
									MAMARONECK, NEW YORK										
									SQUEEZE CONNECTORS 1"										
A	1	1 19/32 & 1" Dim added	6/8/59		J.C.B.				MATERIAL										
ISSUE		ITEM	CHANGED FROM	DATE	CH. NO.	DRAFTS	CHECKER	ENG. APP.	MATERIAL										
TOLERANCES			SCALE: S-401-35 (256)							DRAWN									
DEC. DIM. ±			MAXIMUM ALLOWABLE TOLERANCES HAVE BEEN DETERMINED AND ANY DEVIATIONS WILL BE CAUSE FOR REJECTION. REMOVE ALL BURRS AND SHARP EDGES					TYPE & TEMPER		HEATTREAT. SPEC.		DRAWN		CHECKED		FINAL APPROVAL			
FRAC. DIM. ±								TABOLITE								E.G.			
ANGULAR DIM. ±								FINISH & SPEC. NO.						ELEC. DES. APP.		MECH. DES. APP.		PO-174 A	