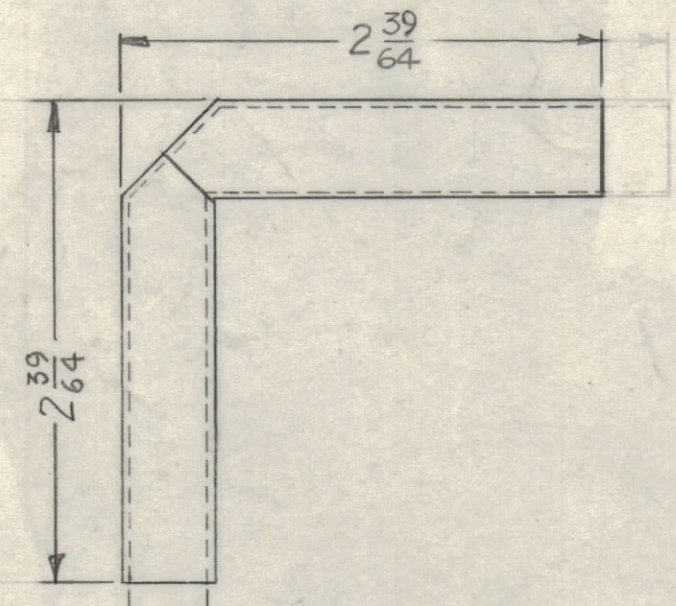
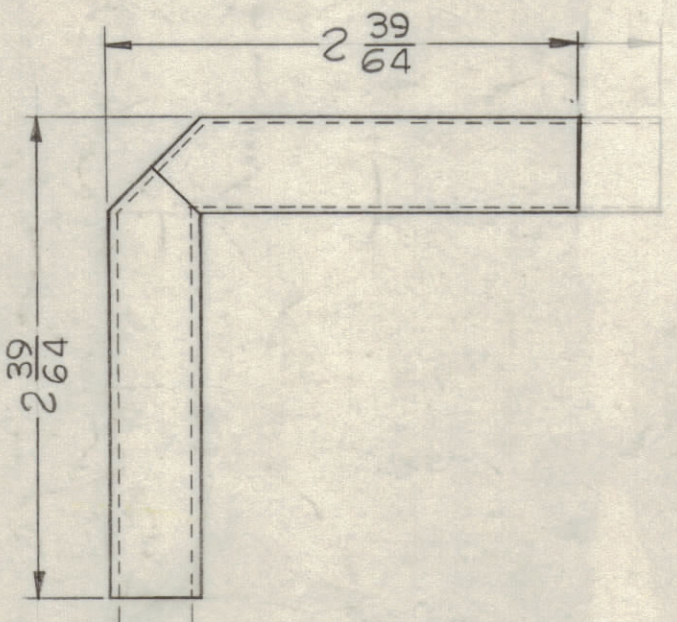
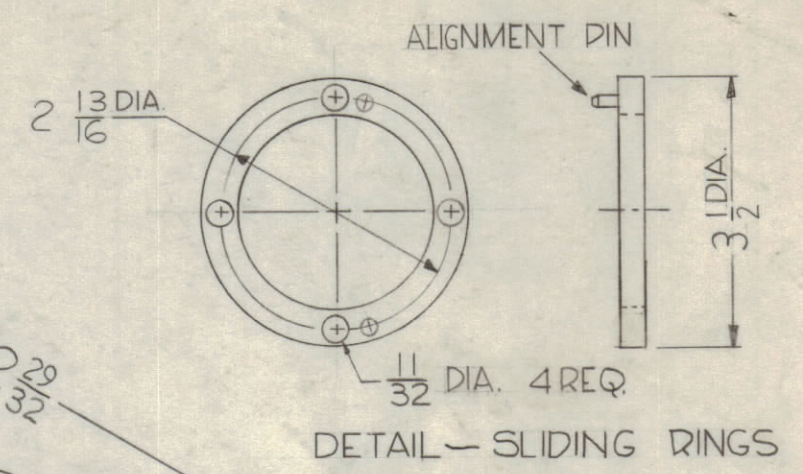
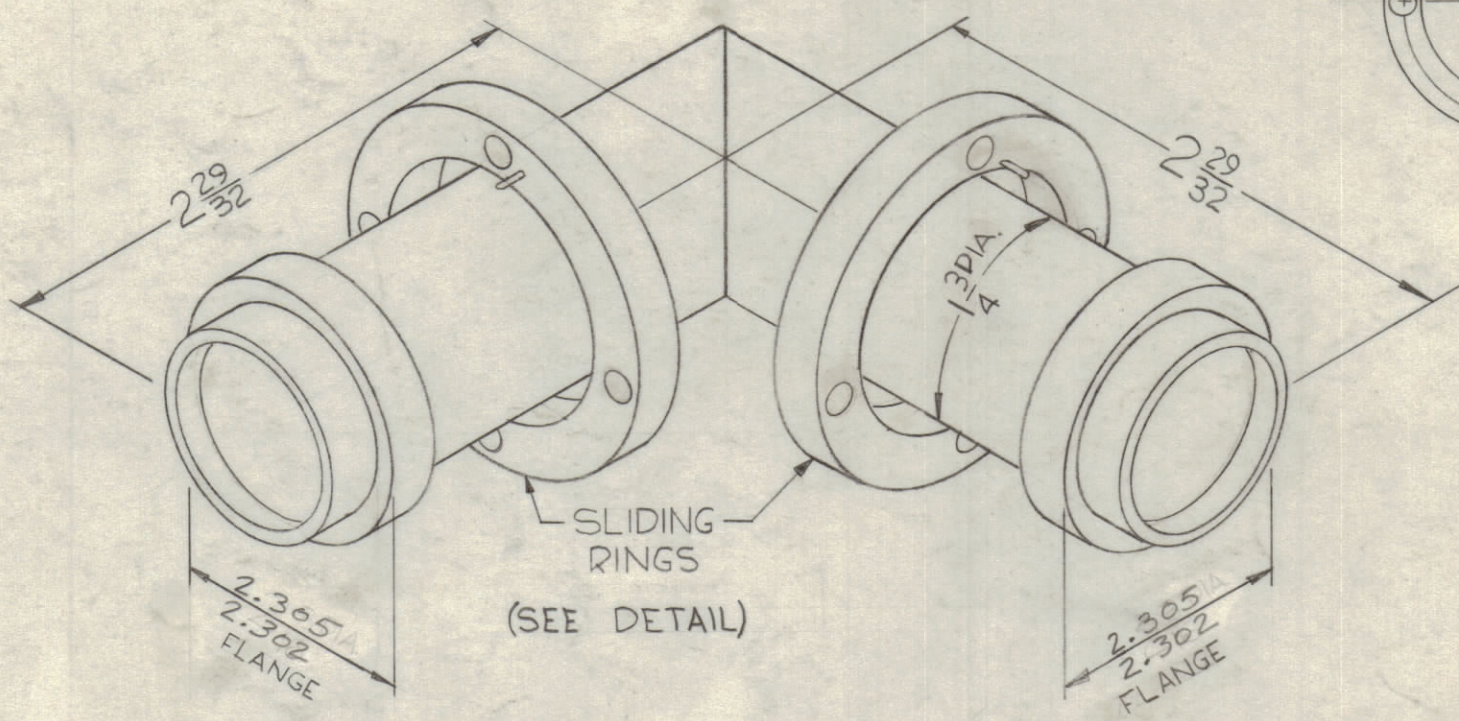
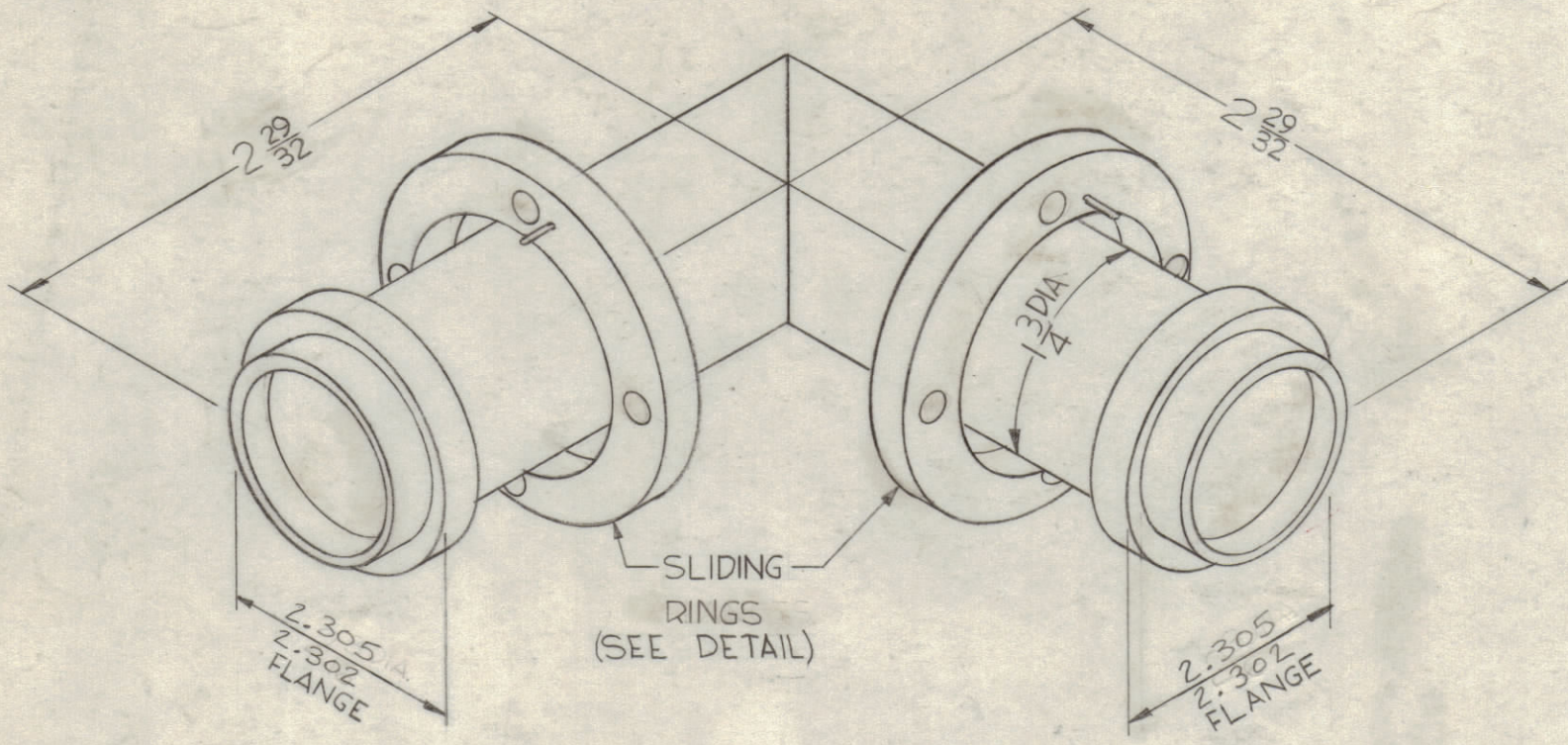


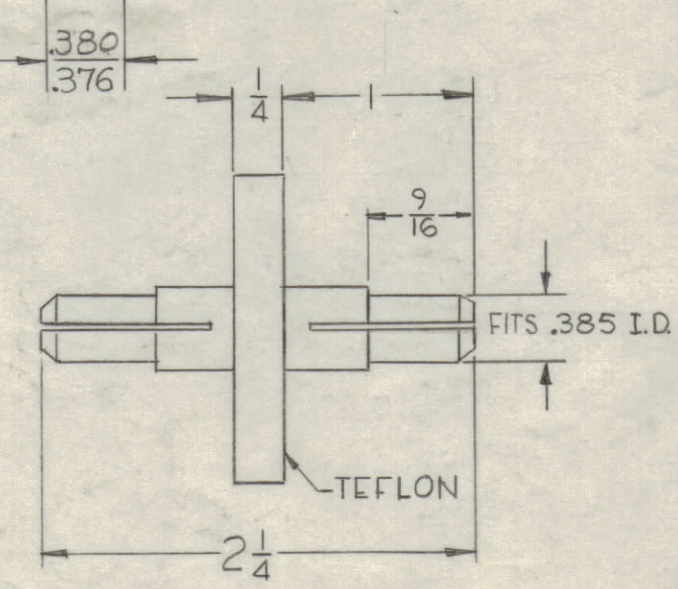
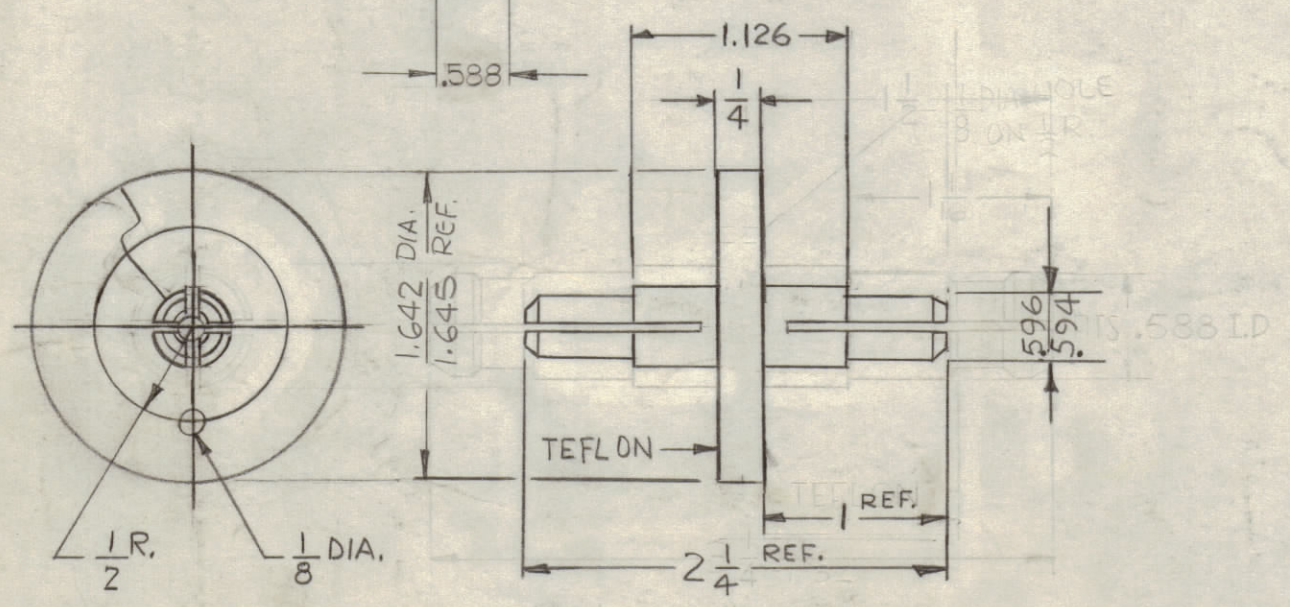
TMC PART NO.	IMPEDANCE	MFR. PART NO.
PO-171-50	50 OHM	1061
PO-171-70	75 OHM	1071

PO-171 c



SUPPLIED BY MFR.  
 O RING - 1 REQ'D.  
 Screw, Machine - SCHH3118NR24 - 4 REQ'D.  
 Washer, Lock, Split - LWS31HRN - 4 REQ'D.  
 Nut, Hex - NTH3118NR16 - 4 REQ'D.  
 Connector, Inner - PO-218-50 - 1 REQ'D.

SUPPLIED BY MFR.  
 O RING - 1 REQ'D.  
 SCREW, MACHINE - SCHH3118NR24 - 4 REQ'D.  
 WASHER, LOCK, SPLIT - LWS31HRN - 4 REQ'D.  
 NUT, HEX - NTH3118NR16 - 4 REQ'D.  
 CONNECTOR, INNER - PO-218-70 - 1 REQ'D.



NOTE  
 ITEM TO BE STOCKED AS ORDERED.

PO-171-50

PO-171-70

NOTICE TO PERSONS RECEIVING THIS DRAWING  
 THE TECHNICAL MATERIEL CORPORATION claims proprietary right in the material disclosed hereon. This drawing is issued in confidence for engineering information only and may not be reproduced or used to manufacture anything shown hereon without permission from THE TECHNICAL MATERIEL CORPORATION to the user. This drawing is loaned for mutual assistance and is subject to recall at any time.  
 Property of:  
 THE TECHNICAL MATERIEL CORPORATION  
 MAMARONECK, NEW YORK

SYM	ZONE	DESCRIPTION	DATE	CH. NO.	DRAFTS	CHECKER	ENG. APP.
C		PO-171-50 REV. 2-29-64 ADDED ON PO-171-70	11-9-67	18595	HE	EFM	
B		HTES, 3/15-2 WAS 70-2 (CHART); DIMS CLARIFIED ON 508-70	7-13-62	6912	HE	EFM	
A		REDRAWN & REVISED FROM 1 SIZE	1-26-62	6101	HE	EFM	

UNLESS OTHERWISE SPECIFIED:  
 DIMENSIONS ARE IN INCHES  
 TOLERANCES ON  
 FRACTIONS ± 1/64    DECIMALS ± .005    ANGLES ± 1/2°

SCALE  
 MAXIMUM ALLOWABLE TOLERANCES HAVE BEEN DETERMINED AND ANY DEVIATIONS WILL BE CAUSE FOR REJECTION.  
 REMOVE ALL BURRS & SHARP EDGES

REQ. PER UNIT	MODEL	SECTION	ASS'Y. NO.	DATE
	TRC-5000			
	USED ON			

REQ. ITEM	PART NO.	DESCRIPTION	SYMBOL
THE TECHNICAL MATERIEL CORP. MAMARONECK, NEW YORK			
STOCK SIZE			
CONNECTOR, ELECTRICAL ELBOW, MITERED, 1-5/8 EIA			
MATERIAL			
L. Goldberg		HE	EFM
DRAWN		CHECKED	FINAL APPROVAL
TYPE & TEMPER		HEAT TREAT. SPEC.	
FINISH & SPEC. NO.		ELEC. DES. APP. MECH. DES. APP. SHEET OF	
		PO-171 c	