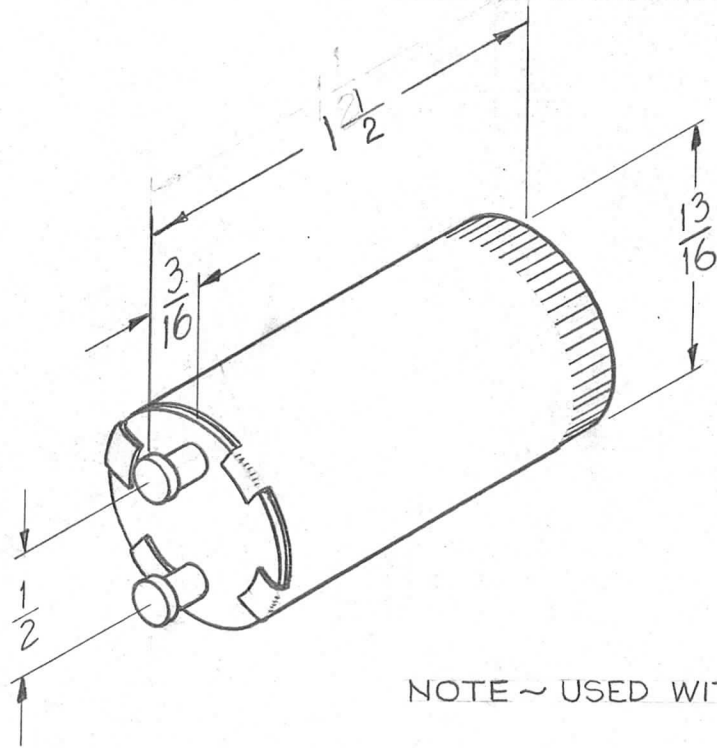


REQ. PER. UNIT	USED ON		
	MODEL	ASS'Y. NO.	DATE
2	GPT-10K	AX-173	4-16-59
2	GPT-10K	AX-107	
2	GPT-40K	AM-109	4-4-60
2	GPT-40K	AT-101	4-4-60

PO-170



NOTE ~ USED WITH SOCKET ~ TMC NO. TS-140

REF ~ DURA ELECTRIC CO. FS-5

ISSUE	ITEM	CHANGED FROM	DATE	CH. NO.	DRAFTS	CHECKER	ENG. APP.	REQ.	ITEM	PART NO.	DESCRIPTION	SYMBOL	
											THE TECHNICAL MATERIEL CORP. MAMARONECK, NEW YORK		
										STOCK SIZE	STARTER, FLUORESCENT LAMP (8WATTS)		
										MATERIAL	J.C. BIELE		
										TYPE & TEMPER	DRAWN	CHECKED	
										HEAT TREAT. SPEC.	GG		
										FINISH & SPEC. NO.	ELEC. DES. APP	MECH. DES. APP	
TOLERANCES			SCALE: 5-401-39 (FS-5)					MAXIMUM ALLOWABLE TOLERANCES HAVE BEEN DETERMINED AND ANY DEVIATIONS WILL BE CAUSE FOR REJECTION. REMOVE ALL BURRS AND SHARP EDGES			FINAL APPROVAL		
DEC. DIM. ± FRAC. DIM. ± ANGULAR DIM. ±											PO-170		