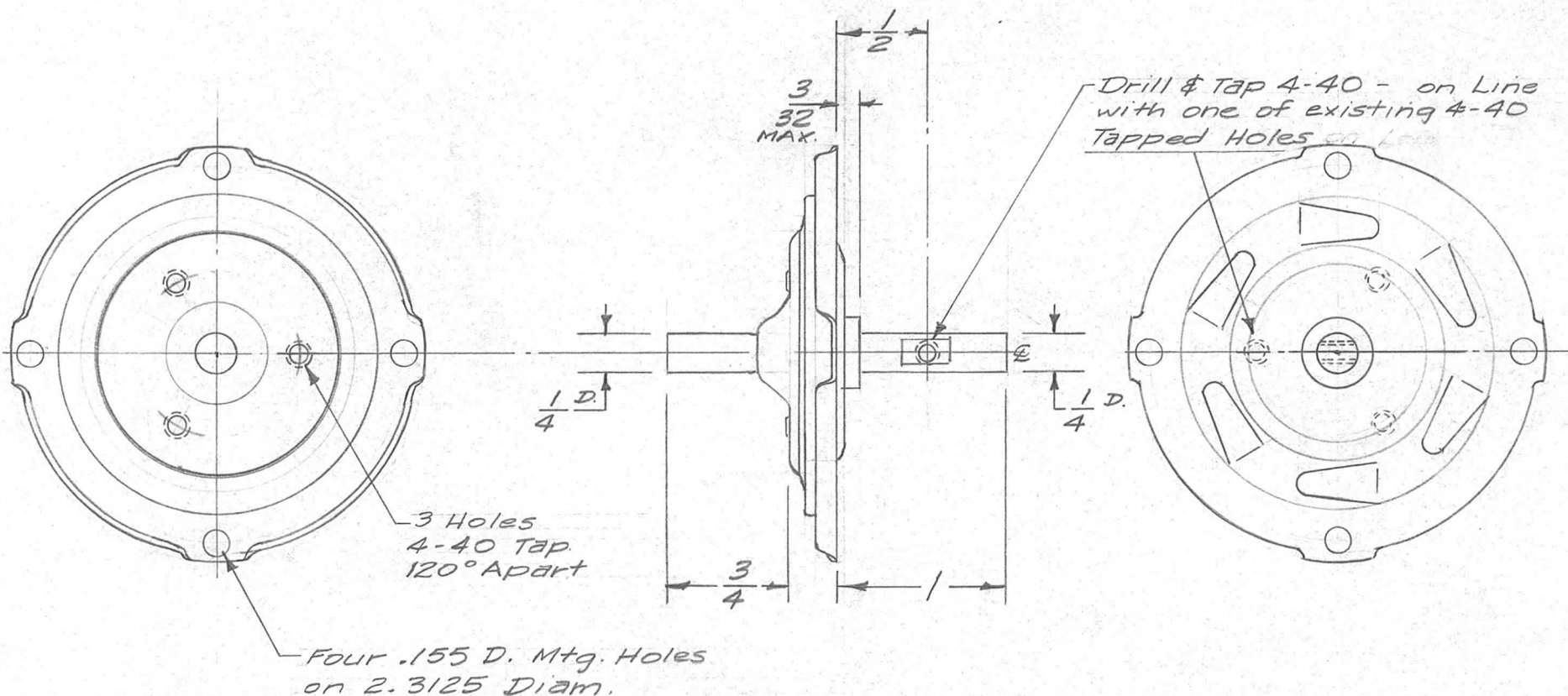


REQ. PER UNIT	USED ON			PO-157	A
	MODEL	ASS'Y. NO.	DATE		
1	RSC-3	A-1590	10-13-58		



NON-INSULATED TYPE
RATIO - 5:1

Ref. NATIONAL CO. TYPE AVD(mod.)

REQ. ITEM	PART NO.	DESCRIPTION	SYMBOL
		THE TECHNICAL MATERIEL CORP. MAMARONECK, NEW YORK	
STOCK SIZE		DRIVE, VERNIER, 5:1	
MATERIAL		RATIO	
TOLERANCES		SCALE: Full 1-1284	
DEC. DIM. \pm FRAC. DIM. \pm ANGULAR DIM. \pm		MAXIMUM ALLOWABLE TOLERANCES HAVE BEEN DETERMINED AND ANY DEVIATIONS WILL BE CAUSE FOR REJECTION. REMOVE ALL BURRS AND SHARP EDGES	
TYPE & TEMPER		DRAWN	
HEAT TREAT. SPEC.		CHECKED	
FINISH & SPEC. NO.		ELEC. DES. APP. MECH. DES. APP.	
A 1 PICTORIAL CLARIFIED		11/18/58 # JHe	
ISSUE ITEM		CHANGED FROM	
DATE		CH. NO. DRAFTS CHECKER ENG. APP.	
TOLERANCES		SCALE: Full 1-1284	
DEC. DIM. \pm FRAC. DIM. \pm ANGULAR DIM. \pm		MAXIMUM ALLOWABLE TOLERANCES HAVE BEEN DETERMINED AND ANY DEVIATIONS WILL BE CAUSE FOR REJECTION. REMOVE ALL BURRS AND SHARP EDGES	
TYPE & TEMPER		DRAWN	
HEAT TREAT. SPEC.		CHECKED	
FINISH & SPEC. NO.		ELEC. DES. APP. MECH. DES. APP.	
		16 ¹⁰ /13/58 JHe	
		P.L.K. JHe	
		PO-157 A	