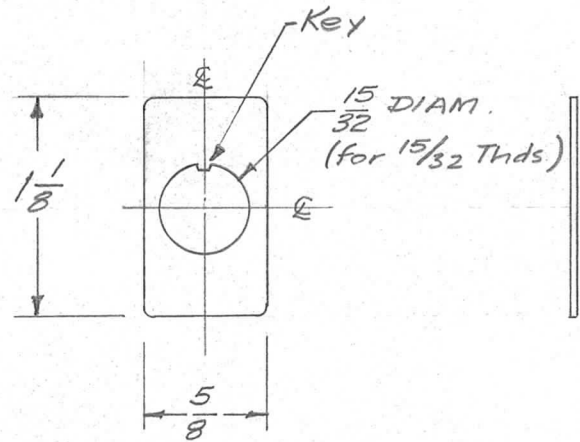


REQ. PER UNIT	USED ON			PO-156
	MODEL	ASS'Y. NO.	DATE	
2	ATS MOD KIT		10-1-58	



Ref-NP-240 (Engraving)

CARLING ELECTRIC, INC. # Y00

REQ.	ITEM	PART NO.	DESCRIPTION				SYMBOL
		.035 THK	THE TECHNICAL MATERIEL CORP.				
		STOCK SIZE	MAMARONECK. NEW YORK				
		Brass	PLATE, SWITCH, LOCKING				
		MATERIAL					
ISSUE	ITEM	CHANGED FROM	DATE	CH. NO.	DRAFTS	CHECKER	ENG. APP.
TOLERANCES			SCALE:				
DEC. DIM. ±			MAXIMUM ALLOWABLE TOLERANCES HAVE BEEN DETERMINED AND ANY DEVIATIONS WILL BE CAUSE FOR REJECTION.				
FRAC. DIM. ±			REMOVE ALL BURRS AND SHARP EDGES				
ANGULAR DIM. ±							
TYPE & TEMPER		HEAT TREAT. SPEC.	DRAWN	CHECKED	FINAL APPROVAL		
Cadmium Plate			gnt	JDe	PO-156		
FINISH & SPEC. NO.		ELEC. DES. APP.	MECH. DES. APP.				