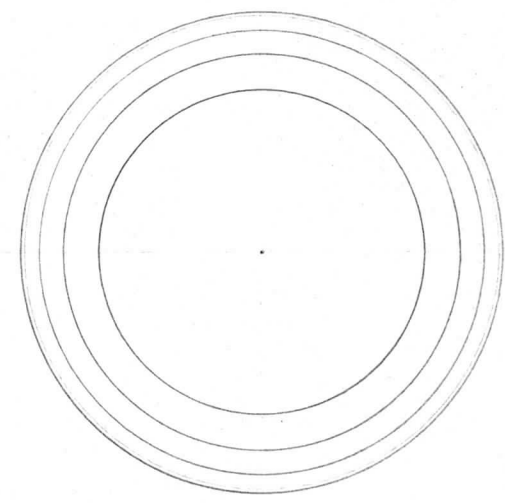
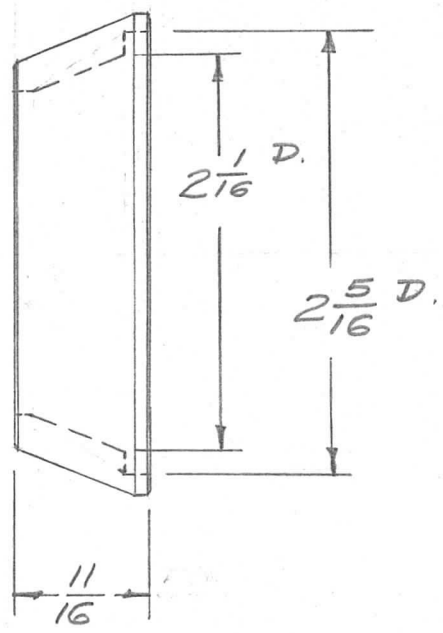
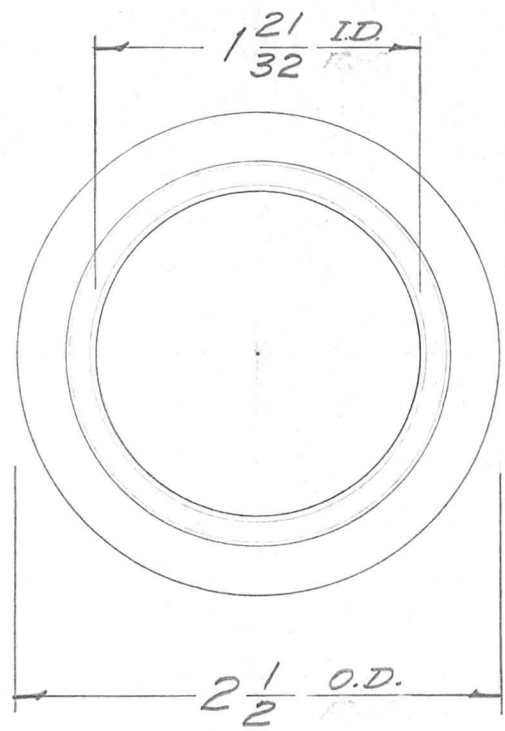


REQ. PER UNIT	USED ON			PO-151
	MODEL	ASS'Y. NO.	DATE	
2	RFA-1		7-14-58	



Dimensions for Ref. Only.

For TMC Socket TS-132
 Chimney Cannot be purchased from Johnson.
 Ref-EIMAC NO. 5K626

ISSUE	ITEM	CHANGED FROM	DATE	CH. NO.	DRAFTS	CHECKER	ENG. APP.	REQ. ITEM	PART NO.	DESCRIPTION	SYMBOL		
										THE TECHNICAL MATERIEL CORP. MAMARONECK. NEW YORK CHIMNEY, TUBE			
									STOCK SIZE				
									Ceramic				
									MATERIAL				
TOLERANCES			SCALE: FULL							16 7/16/58	Hde	A. J. J.	
DEC. DIM. ± FRAC. DIM. ± ANGULAR DIM. ±			MAXIMUM ALLOWABLE TOLERANCES HAVE BEEN DETERMINED AND ANY DEVIATIONS WILL BE CAUSE FOR REJECTION. REMOVE ALL BURRS AND SHARP EDGES								DRAWN	CHECKED	FINAL APPROVAL
												PO-151	
									FINISH & SPEC. NO.	ELEC. DES. APP.	MECH. DES. APP.		