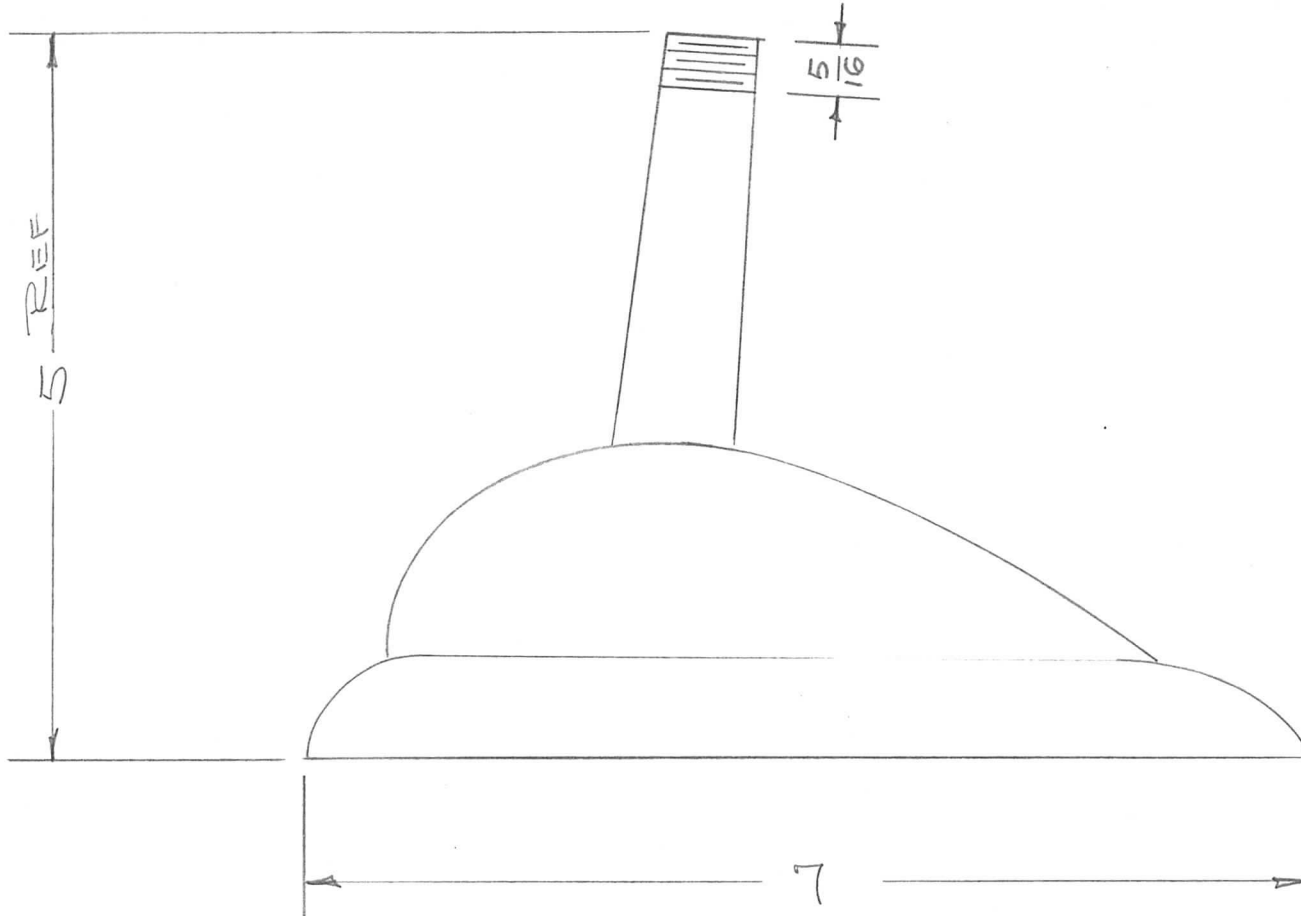


REQ. PER UNIT	USED ON			PO-149
	MODEL	ASS'Y. NO.	DATE	
1	MK-103	MK-103	10/18/57	



REF: SHURE # S36A

								REQ. ITEM	PART NO.	DESCRIPTION	SYMBOL		
										THE TECHNICAL MATERIEL CORP. MAMARONECK, NEW YORK			
								STOCK SIZE		DESK STAND, MICROPHONE			
								MATERIAL					
ISSUE	ITEM	CHANGED FROM	DATE	CH. NO.	DRAFTS	CHECKER	ENG. APP.						
TOLERANCES			SCALE:										
DEC. DIM. ±			MAXIMUM ALLOWABLE TOLERANCES HAVE BEEN DETERMINED AND ANY DEVIATIONS WILL BE CAUSE FOR REJECTION. REMOVE ALL BURRS AND SHARP EDGES					TYPE & TEMPER	HEAT TREAT. SPEC.	DRAWN	CHECKED	FINAL APPROVAL	
FRAC. DIM. ±								SATIN CHROME		REB			
ANGULAR DIM. ±								FINISH & SPEC. NO.		ELEC. DES. APP.	MECH. DES. APP.		
											PO-149		