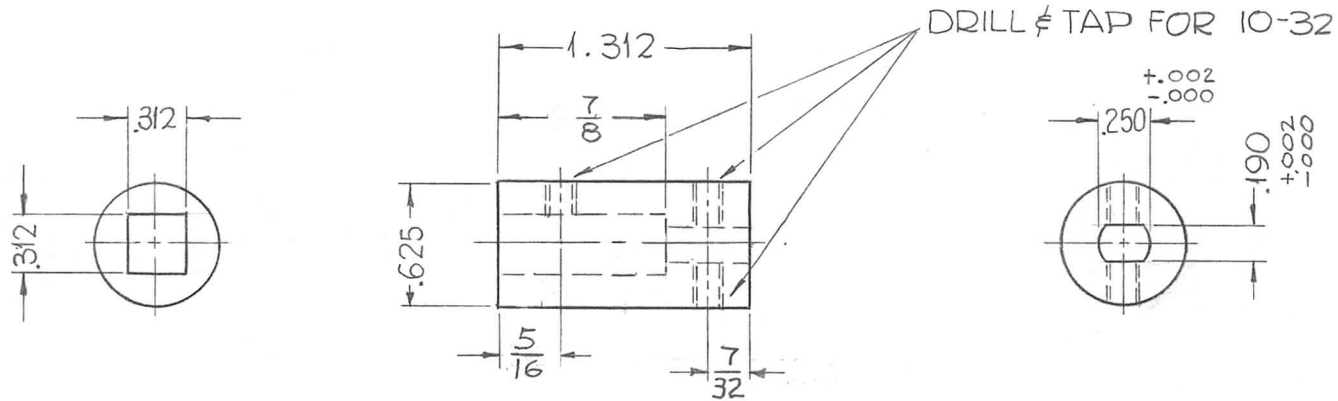


REQ. PER UNIT	USED ON			PM-996	Ø
	MODEL	ASS'Y. NO.	DATE		
2	GPT-200K	AX-395	10-11-63		



REQ. ITEM	PART NO.	F. BUDETTI	DESCRIPTION	SYMBOL							
	AS NOTED		THE TECHNICAL MATERIEL CORP. MAMARONECK. NEW YORK								
	STAINLESS STEEL		COUPLING OUTPUT GEAR BOX								
0	ORIGINAL RELEASE	5.16.64	LSB								
SYM	DESCRIPTION	DATE	CH. NO.	DRAFTS	CHECKER	ENG. APP.	MATERIAL				
UNLESS OTHERWISE SPECIFIED DIMENSIONS ARE IN INCHES AND INCLUDE CHEMICALLY APPLIED OR PLATED FINISHES		SCALE		3" = 1"		303		SRG	aa	RL	
DECIMALS .X ± .05 .XX ± .01 .XXX ± .005	TOLERANCES	FRACTIONS ± 1/64 ANGLES ± 0° 30'	CODE			TYPE & TEMPER	HEAT TREAT. SPEC.	DRAWN	CHECKED	FINAL APPROVAL	
						FINISH & SPEC. NO.		ØB	RL	PM-996	Ø
								ELEC. DES. APP.	MECH. DES. APP.		