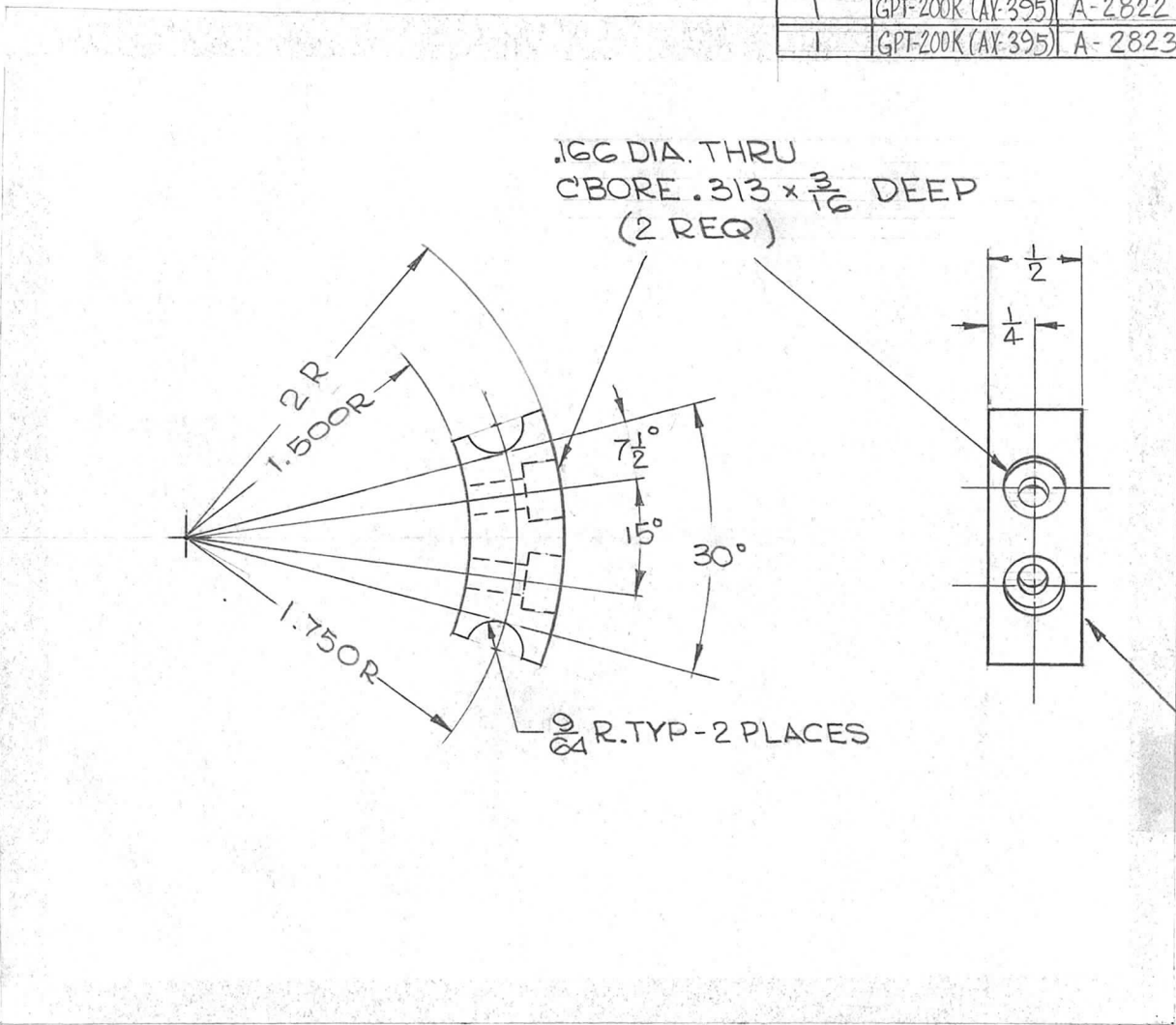


REQ. PER UNIT	USED ON		
	MODEL	ASS'Y. NO.	DATE
1	GPT-200K (AX-395)	A-2821	9-6-63
1	GPT-200K (AX-395)	A-2822	9-6-63
1	GPT-200K (AX-395)	A-2823	9-6-63

PM-993 \emptyset



METAL STAMP TMC PART NO. 1/8 HIGH GOTHIC.

SYM	DESCRIPTION	DATE	CH. NO.	DRAFTS	CHECKER	ENG. APP.	REQ. ITEM	PART NO.	F. BUDETTI DESCRIPTION	SYMBOL	
							1/2 THK		THE TECHNICAL MATERIEL CORP. MAMARONECK. NEW YORK	\emptyset	
							STOCK SIZE				
\emptyset	ORIGINAL RELEASE FOR PRODUCTION	3/23/64					ALUMINUM		STOP, SHAFT, CAPACITOR.		
	UNLESS OTHERWISE SPECIFIED DIMENSIONS ARE IN INCHES AND INCLUDE CHEMICALLY APPLIED OR PLATED FINISHES	SCALE					2024-T4				
	DECIMALS .X \pm .05 .XX \pm .01 .XXX \pm .005	FRACTIONS \pm 1/64 ANGLES \pm 0° 30'	CODE				TYPE & TEMPER 5245-SILVER PLATE .0003	HEAT TREAT. SPEC.	DRAWN R. Chmouh 9-6-63	CHECKED A. G. B.	FINAL APPROVAL R. G. B. 3/23/64
	TOLERANCES		A				FINISH & SPEC. NO.		ELEC. DES. APP. R. G. B.	MECH. DES. APP. R. G. B.	PM-993 \emptyset