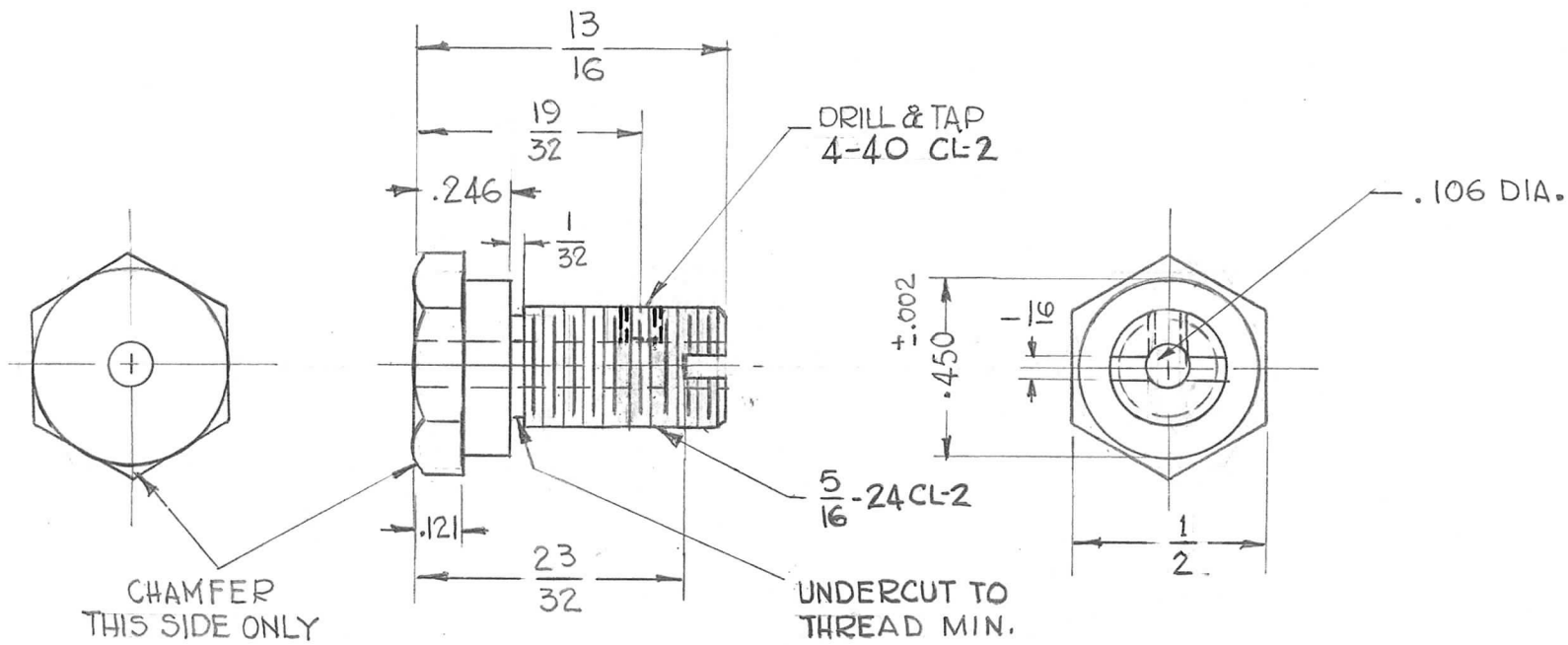


| | | | |
|---------------|------------------|------------|--------|
| REQ. PER UNIT | USED ON | | PM-989 |
| | MODEL | ASS'Y. NO. | |
| 1 | TCA-85/EIA-51625 | | 8-3-63 |



| | | | | | | | | | | | |
|---|-------------|---|---------|--------|---------|---|-----------|-----------------|-----------------|------------------------------|----------|
| | | | | | | | REQ. ITEM | PART NO. | A. MARTINENGO | DESCRIPTION | SYMBOL |
| | | | | | | | | 1/2" HEX. ROD | | THE TECHNICAL MATERIEL CORP. | |
| | | | | | | | | STOCK SIZE | | MAMARONECK. | NEW YORK |
| | | | | | | | | BRASS | | ADAPTER, CENTER CONDUCTOR | |
| SYM | DESCRIPTION | DATE | CH. NO. | DRAFTS | CHECKER | ENG. APP. | MATERIAL | | | | |
| UNLESS OTHERWISE SPECIFIED DIMENSIONS ARE IN INCHES AND INCLUDE CHEMICALLY APPLIED OR PLATED FINISHES | | SCALE | | | | FREE MACHINING | | G.D.L | 1/10/63 | FINAL APPROVAL | |
| DECIMALS .X ± .05 .XX ± .01 .XXX ± .005 | | FRACTIONS ± 1/64 ANGLES ± 0° 30' | | CODE | | TYPE & TEMPER 5-135 NICKEL PLATE, BRIGHT | | DRAWN | CHECKED | 9/11/63 | PM-989 |
| TOLERANCES | | | | | | FINISH & SPEC. NO. | | ELEC. DES. APP. | MECH. DES. APP. | | |