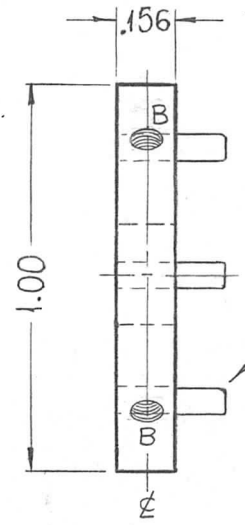
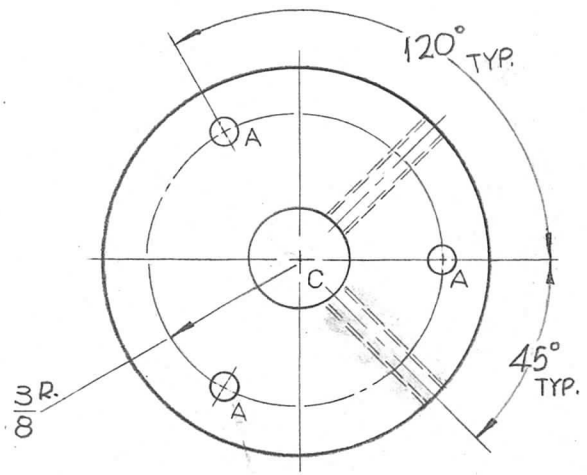


REQ. PER UNIT	USED ON		
	MODEL	ASS'Y. NO.	DATE
1	GPT-200K (AX-395)	A-3202	10-29-63
1	GPT-200K (AX-395)	A-3204	10-29-63

PM-977 ~~0~~



HOLES- REQ.
 A ~ .094 DIA. _____ 3
 B ~ DRILL & TAP FOR 0440 _____ 2
 C ~ .252 DIA. _____ 1

1 PRESS FIT (CLASS-5)

MATES WITH PM-971

3	1	PN-116-M-2S	PIN, DOWEL		
REQ. ITEM	PART NO.		F. BUDETTI	DESCRIPTION	SYMBOL
AS NOTED			THE TECHNICAL MATERIEL CORP. MAMARONECK, NEW YORK		
STAINLESS STEEL			WOBBLE PLATE COUNTER REDUCTION BOX		
MATERIAL					
303			SRG	QA JCS	RAC 4-6-64
TYPE & TEMPER			DRAWN		CHECKED
S-104-PASSIVATE			2 BTB		138
FINISH & SPEC. NO.			ELEC. DES. APP.		MECH. DES. APP.
					PM-977 0

SYMBOL	DESCRIPTION	DATE	CH. NO.	DRAFTS	CHECKER	ENG. APP.
○	ORIGINAL RELEASE FOR PRODUCTION	4/3/64				
UNLESS OTHERWISE SPECIFIED DIMENSIONS ARE IN INCHES AND INCLUDE CHEMICALLY APPLIED OR PLATED FINISHES		SCALE 2" = 1"				
DECIMALS .X ± .05 .XX ± .01 .XXX ± .005	TOLERANCES	FRACTIONS ± 1/64 ANGLES ± 0° 30'	CODE			
			A			