

THE CONTENTS OF THIS DRAWING ARE THE EXCLUSIVE PROPERTY OF THE TECHNICAL MATERIEL CORP. ITS UNAUTHORIZED USE FOR REPRODUCTION IN WHOLE OR IN PART IS STRICTLY FORBIDDEN.

REQ. PER UNIT

2

MODEL

GPT-200K

USED ON

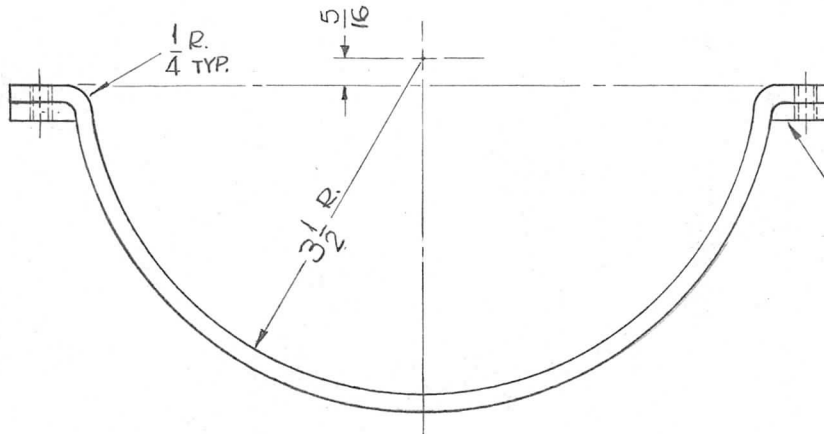
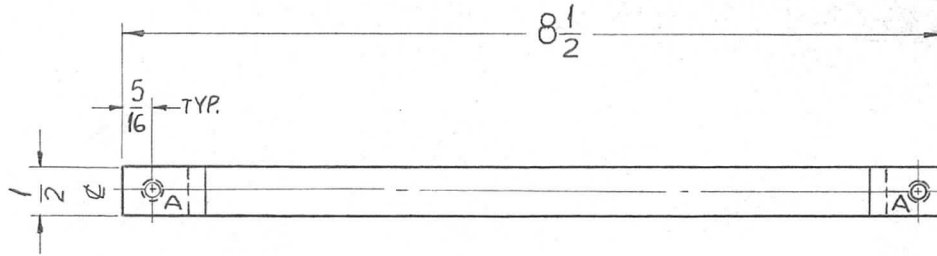
ASS'Y. NO.

AX-393

DATE

8-5-63

PM-969



BRAZE SHIM TO BRACKET AS SHOWN. (TYP.)

HOLES:

A-10-32 TAP — 2REQ.

NOTE:

USE 1/16 RADIUS ON ALL EDGES AND CORNERS.

REQ.	ITEM	PART NO.	F. BUDETTI	DESCRIPTION	SYMBOL
		3/16 THICK		THE TECHNICAL MATERIEL CORP.	
		STOCK SIZE		MAMARONECK, NEW YORK	
0		COPPER		CLAMP, GRID CONTACT	
		MATERIAL			
		HOT-ROLLED	SRG	aa	Rde
		TYPE & TEMPER		DRAWN	CHECKED
		HEAT TREAT. SPEC.			FINAL APPROVAL
		S-245 SILVER PLATE	2B	un7/63	PM-969
		FINISH & SPEC. NO.	ELEC. DES. APP.	MECH. DES. APP.	

SYMBOL	DESCRIPTION	DATE	CH. NO.	DRAFTS	CHECKER	ENG. APP.
0	ORIGINAL RELEASE FOR PRODUCTION	5-13-64	0	A.M.		

UNLESS OTHERWISE SPECIFIED DIMENSIONS ARE IN INCHES AND INCLUDE CHEMICALLY APPLIED OR PLATED FINISHES	SCALE
	1/2" = 1"

DECIMALS	TOLERANCES	FRACTIONS	CODE
.X ± .05		± 1/64	A
.XX ± .01		ANGLES ± 0° 30'	
.XXX ± .005			