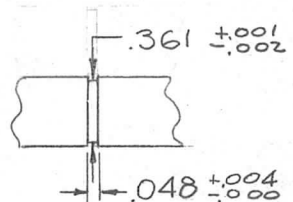


THE CONTENTS OF THIS DRAWING ARE THE EXCLUSIVE PROPERTY OF THE TECHNICAL MATERIEL CORP. ITS UNAUTHORIZED USE FOR REPRODUCTION IN WHOLE OR IN PART IS STRICTLY FORBIDDEN.

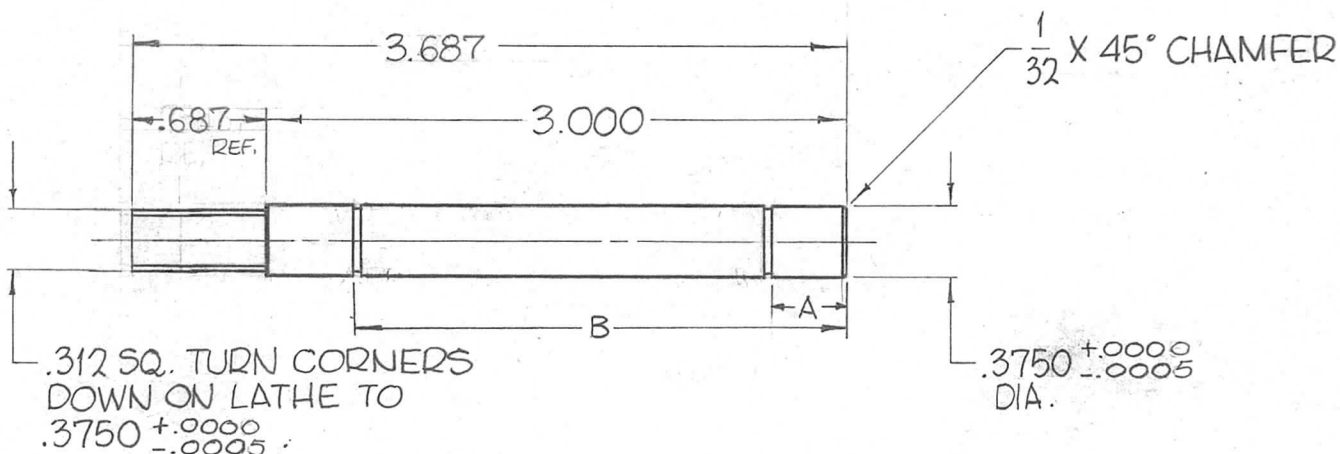
REQ. PER UNIT	USED ON		
	MODEL	ASS'Y. NO.	DATE
2	GPT-200K	AX-395	8 - 1 - 63
1	GPT-200K	A-3232	8 - 1 - 63
1	GPT-200K	A-3262	8 - 1 - 63

PM-964 \emptyset

TMC NO.	A	B	USED ON	REQ.
PM-964-1	3/8	—	A-3233 A-3262	1EA.
-2	—	2 9/16	A-3232	1



GROOVE DETAIL



REQ.	ITEM	PART NO.	F. BUDETTI	DESCRIPTION	SYMBOL
		AS NOTED		THE TECHNICAL MATERIEL CORP.	
		STOCK SIZE		MAMARONECK, NEW YORK	
		STAINLESS STEEL		SHAFT, LONG	
		MATERIAL		RT. & GEAR DRIVE	
		303	John C. Biele	aa 9/63	RDC 3-30-64
		TYPE & TEMPER		DRAWN	CHECKED
		HEAT TREAT. SPEC.			FINAL APPROVAL
		5-104-PASSIVATE			
		FINISH & SPEC. NO.		ELEC. DES. APP.	MECH. DES. APP.
					PM-964 \emptyset

UNLESS OTHERWISE SPECIFIED DIMENSIONS ARE IN INCHES AND INCLUDE CHEMICALLY APPLIED OR PLATED FINISHES

DECIMALS
.X \pm .05
.XX \pm .01
.XXX \pm .005

FRACTIONS
 \pm 1/64
ANGLES
 \pm 0° 30'

TOLERANCES

CODE
A

SCALE
1" = 1"