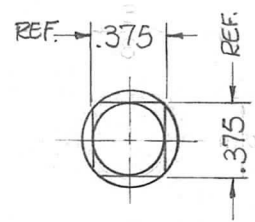
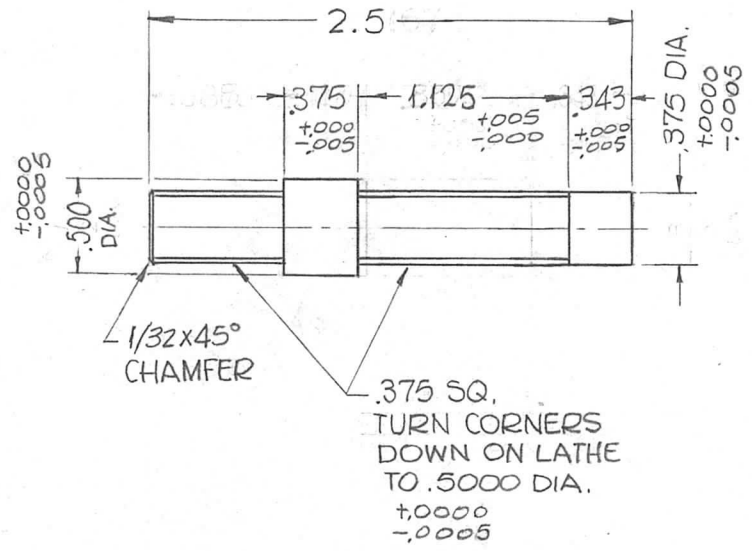


THE CONTENTS OF THIS DRAWING ARE THE EXCLUSIVE PROPERTY OF THE TECHNICAL MATERIEL CORP. ITS UNAUTHORIZED USE FOR REPRODUCTION IN WHOLE OR IN PART IS STRICTLY FORBIDDEN.

REQ. PER UNIT	USED ON		
	MODEL	ASS'Y. NO.	DATE
1	GPT-200K (AX-395)	A-3242	7-15-63

PM-960  $\emptyset$



REQ.	ITEM	PART NO.	F. BUDETTI	DESCRIPTION	SYMBOL	
		AS NOTED		THE TECHNICAL MATERIEL CORP.		
		STOCK SIZE		MAMARONECK, NEW YORK		
0		ORIGINAL RELEASE FOR PRODUCTION	3-3-64			
X1		DIM. .375 WAS 437, 1.125 WAS .859, .343 ADDED, 2.5 WAS 2.516, TOLL. REVERSED	2-7-64	SRG		
SYM	DESCRIPTION	DATE	CH. NO.	DRAFTS	CHECKER	ENG. APP.
	UNLESS OTHERWISE SPECIFIED DIMENSIONS ARE IN INCHES AND INCLUDE CHEMICALLY APPLIED OR PLATED FINISHES	SCALE	1" = 1"			
	DECIMALS .X ± .05 .XX ± .01 .XXX ± .005	FRACTIONS ± 1/64 ANGLES ± 0° 30'	CODE	A		
	TOLERANCES					
		303		SRG	QAQRB	KDL 3-30-64
		TYPE & TEMPER	HEAT TREAT. SPEC.	DRAWN	CHECKED	FINAL APPROVAL
		S104-PASSIVATE		BB AB	BB	PM-960 $\emptyset$
		FINISH & SPEC. NO.	ELEC. DES. APP.	MECH. DES. APP.		