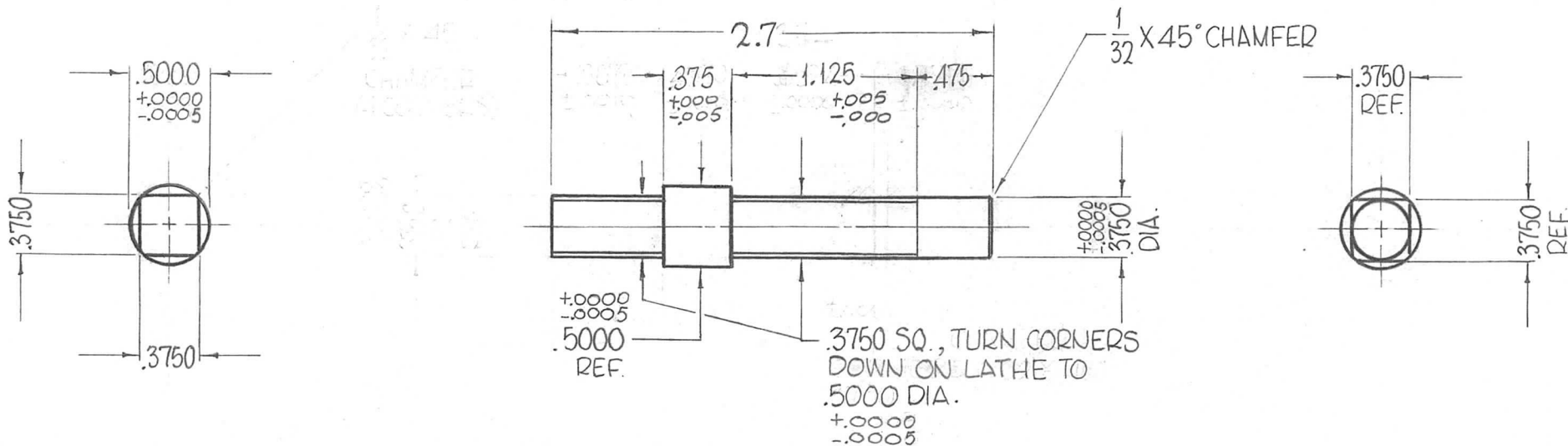


THE CONTENTS OF THIS DRAWING ARE THE EXCLUSIVE PROPERTY OF THE TECHNICAL MATERIEL CORP. ITS UNAUTHORIZED USE FOR REPRODUCTION IN WHOLE OR IN PART IS STRICTLY FORBIDDEN.

REQ. PER UNIT	USED ON		
	MODEL	ASS'Y. NO.	DATE
1	GPT-200K (AX-395)	A-3236	6-24-63
1	GPT-200K (AX-395)	A-3239	6-24-63

PM-947 ~~0~~



							REQ. ITEM	PART NO.	F. BUDETTI	DESCRIPTION	SYMBOL
							AS NOTED		THE TECHNICAL MATERIEL CORP. MAMARONECK, NEW YORK		
							STAINLESS STEEL		SHAFT, CAPACITOR GEAR BOX (LOAD, TUNE)		
							303		John C. Biele <i>aa</i> <i>RJC</i> 3/30/64		
							S104-PASSIVATE		PM-947 0		
							FINISH & SPEC. NO.		ELEC. DES. APP. MECH. DES. APP.		
UNLESS OTHERWISE SPECIFIED DIMENSIONS ARE IN INCHES AND INCLUDE CHEMICALLY APPLIED OR PLATED FINISHES							SCALE 1" = 1"				
DECIMALS .X ± .05 .XX ± .01 .XXX ± .005							FRACTIONS ± 1/64 ANGLES ± 0° 30'		TOLERANCES		
CODE A											