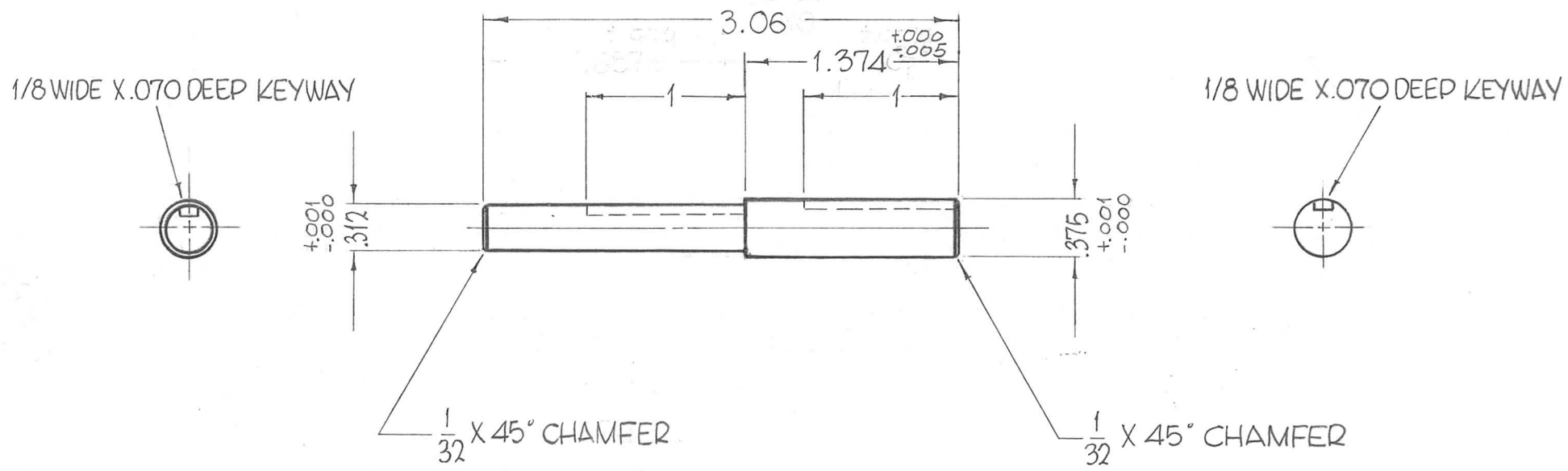


THE CONTENTS OF THIS DRAWING ARE THE EXCLUSIVE PROPERTY OF THE TECHNICAL MATERIEL CORP. ITS UNAUTHORIZED USE FOR REPRODUCTION IN WHOLE OR IN PART IS STRICTLY FORBIDDEN.

REQ. PER UNIT	USED ON		
	MODEL	ASS'Y. NO.	DATE
1	GPT-200K (AX-395)	A-3242	6-24-63

PM-946  $\emptyset$



REQ.	ITEM	PART NO.	F. BUDETTI DESCRIPTION			SYMBOL
		AS NOTED	THE TECHNICAL MATERIEL CORP.			
		STOCK SIZE	MAMARONECK, NEW YORK			
		STAINLESS STEEL	SHAFT, CAPACITOR GEAR BOX			
		MATERIAL	(OUTPUT LOAD)			
		303	John C. Biele	aa	RDC 3-30-64	
		TYPE & TEMPER	DRAWN	CHECKED	FINAL APPROVAL	
		S-104-PASSIVATE	JB	BE	PM-946	$\emptyset$
		FINISH & SPEC. NO.	ELEC. DES. APP.	MECH. DES. APP.		

UNLESS OTHERWISE SPECIFIED DIMENSIONS ARE IN INCHES AND INCLUDE CHEMICALLY APPLIED OR PLATED FINISHES

SCALE 1" = 1"

DECIMALS  
 .X ± .05  
 .XX ± .01  
 .XXX ± .005

FRACTIONS  
 ± 1/64  
 ANGLES  
 ± 0° 30'

TOLERANCES

CODE  
 A