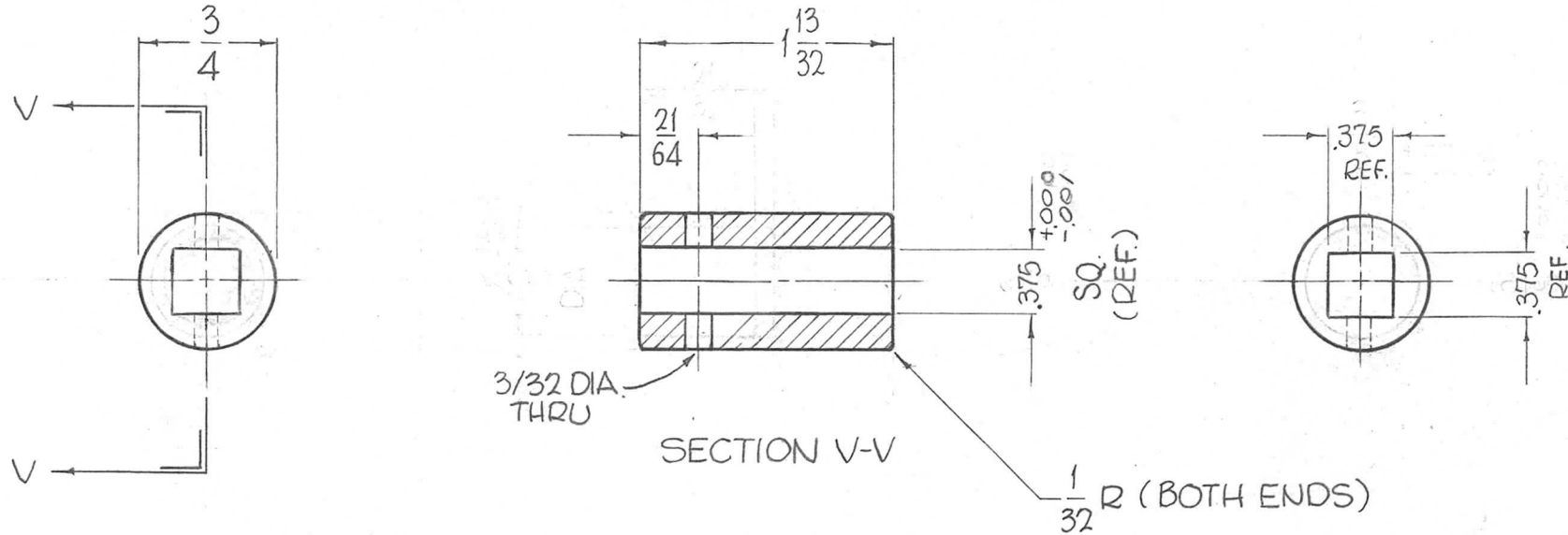


THE CONTENTS OF THIS DRAWING ARE THE EXCLUSIVE PROPERTY OF THE TECHNICAL MATERIEL CORP. ITS UNAUTHORIZED USE FOR REPRODUCTION IN WHOLE OR IN PART IS STRICTLY FORBIDDEN.

REQ. PER UNIT	USED ON		
	MODEL	ASS'Y. NO.	DATE
1	GPT-200K (AX-395)	A-3235	6-21-63
2	GPT-200K (AX-395)	A-3238	6-21-63

PM-943 ~~0~~



							REQ. ITEM	PART NO.	F. BUDETTI	DESCRIPTION	SYMBOL
							3/4 DIA.			THE TECHNICAL MATERIEL CORP.	
							STOCK SIZE			MAMARONECK, NEW YORK	
							STAINLESS STEEL			COUPLING, GEAR ASS'Y	
							MATERIAL				
							303		John C. Biele	aa 9/68	3-30-64
							TYPE & TEMPER	HEAT TREAT. SPEC.	DRAWN	CHECKED	FINAL APPROVAL
							S104-PASSIVATE		2B 1B	BE	PM-943 0
							FINISH & SPEC. NO.		ELEC. DES. APP.	MECH. DES. APP.	
UNLESS OTHERWISE SPECIFIED DIMENSIONS ARE IN INCHES AND INCLUDE CHEMICALLY APPLIED OR PLATED FINISHES							SCALE				
DECIMALS .X ± .05 .XX ± .01 .XXX ± .005							TOLERANCES				
FRACTIONS ± 1/64 ANGLES ± 0° 30'							CODE				
							A				