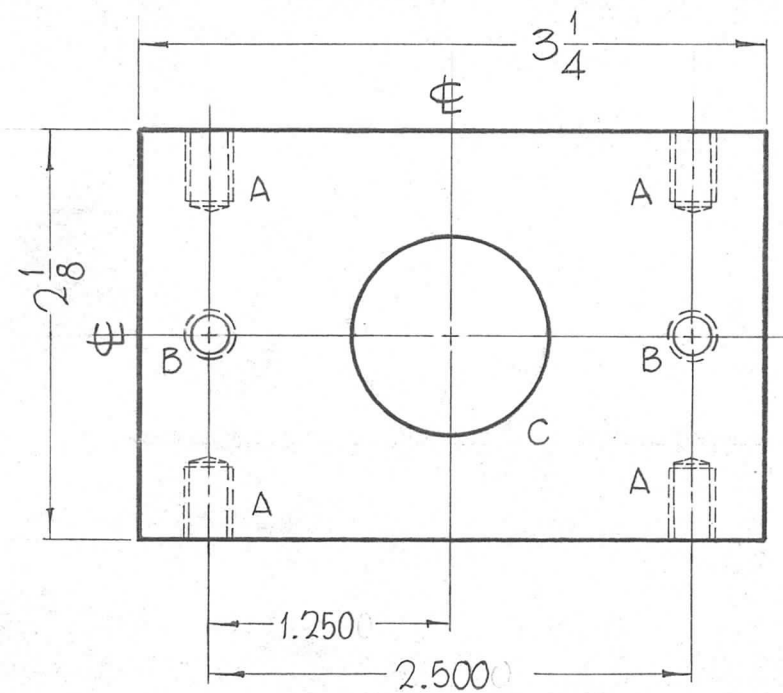


THE CONTENTS OF THIS DRAWING ARE THE EXCLUSIVE PROPERTY OF THE TECHNICAL MATERIEL CORP. ITS UNAUTHORIZED USE FOR REPRODUCTION IN WHOLE OR IN PART IS STRICTLY FORBIDDEN.

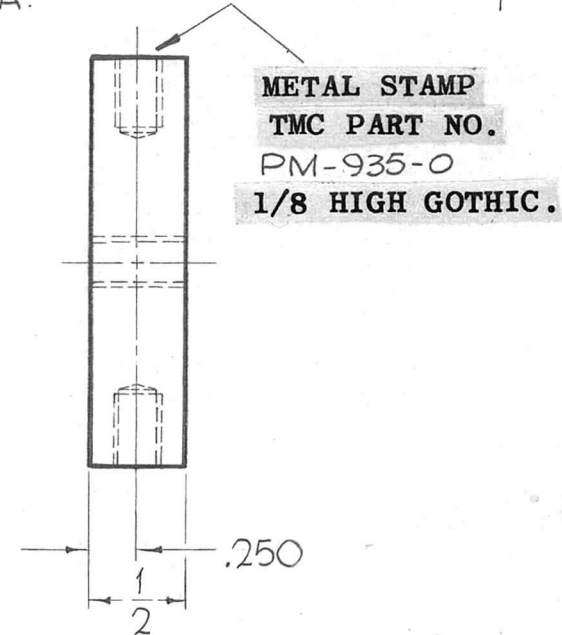
REQ. PER UNIT	USED ON		
	MODEL	ASS'Y. NO.	DATE
2	GPT-200K (AX-395)	A-3235	6-20-63
4	GPT-200K (AX-395)	A-3238	6-20-63
2	GPT-200K	A-3236	6-20-63

PM-935 Ø



HOLES

A - DRILL & TAP 1/4-20 X 3/8 DP.	REQ. 4
B - DRILL & TAP 1/4-20 THRU	2
C - 1.000 DIA.	1



REQ.	ITEM	PART NO.	F. BUDETTI			DESCRIPTION	SYMBOL
		1/2 THICK	THE TECHNICAL MATERIEL CORP. MAMARONECK, NEW YORK			PLATE, SIDE	Ø
		STOCK SIZE					
		ALUMINUM					
		MATERIAL					
		2024-T-4	John C. Biele	aa	RWC	3.30.64	
		TYPE & TEMPER	HEAT TREAT. SPEC.	DRAWN	CHECKED	FINAL APPROVAL	
		S404-IRIDITE, 14-2 AL-COAT		28 LB	PC	PM-935	Ø
		FINISH & SPEC. NO.	ELEC. DES. APP.	MECH. DES. APP.			

UNLESS OTHERWISE SPECIFIED DIMENSIONS ARE IN INCHES AND INCLUDE CHEMICALLY APPLIED OR PLATED FINISHES

DECIMALS
.X ± .05
.XX ± .01
.XXX ± .005

FRACTIONS
± 1/64
ANGLES
± 0° 30'

TOLERANCES

CODE
A

SCALE #