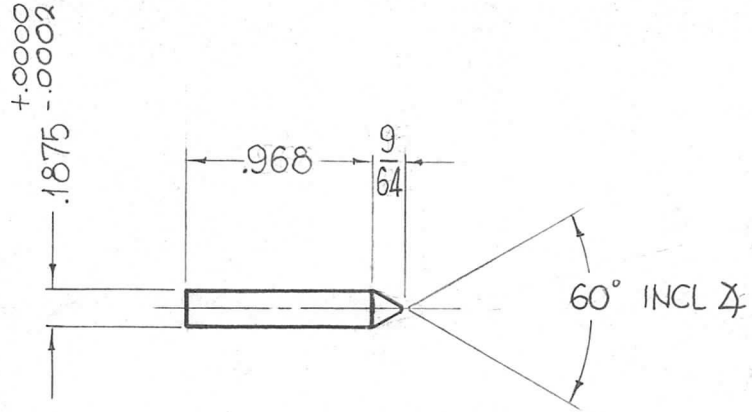


THE CONTENTS OF THIS DRAWING ARE THE EXCLUSIVE PROPERTY OF THE TECHNICAL MATERIEL CORP. ITS UNAUTHORIZED USE FOR REPRODUCTION IN WHOLE OR IN PART IS STRICTLY FORBIDDEN.

REQ. PER UNIT	USED ON		
	MODEL	ASS'Y. NO.	DATE
3	GPT-200K	AX-395	6 - 19 - 63

PM-934 ~~Ø~~



P/O TMC NO. PM-933

REQ.	ITEM	PART NO.	F. BUDETTI DESCRIPTION				SYMBOL
		AS NOTED	THE TECHNICAL MATERIEL CORP. MAMARONECK, NEW YORK				
		STAINLESS STEEL	PIN, GUIDE				
		303	John C. Biele <i>aa9018</i> <i>REV 4-7-64</i>				
		S104-PASSIVATE	ELEC. DES. APP. MECH. DES. APP. <i>PM-934</i> Ø				
Ø	ORIGINAL RELEASE FOR PRODUCTION	2/6/64					
SYM	DESCRIPTION	DATE	CH. NO.	DRAFTS	CHECKER	ENG. APP.	
UNLESS OTHERWISE SPECIFIED DIMENSIONS ARE IN INCHES AND INCLUDE CHEMICALLY APPLIED OR PLATED FINISHES		SCALE					
DECIMALS .X ± .05 .XX ± .01 .XXX ± .005		FRACTIONS ± 1/64 ANGLES ± 0° 30'	CODE				
TOLERANCES		A					