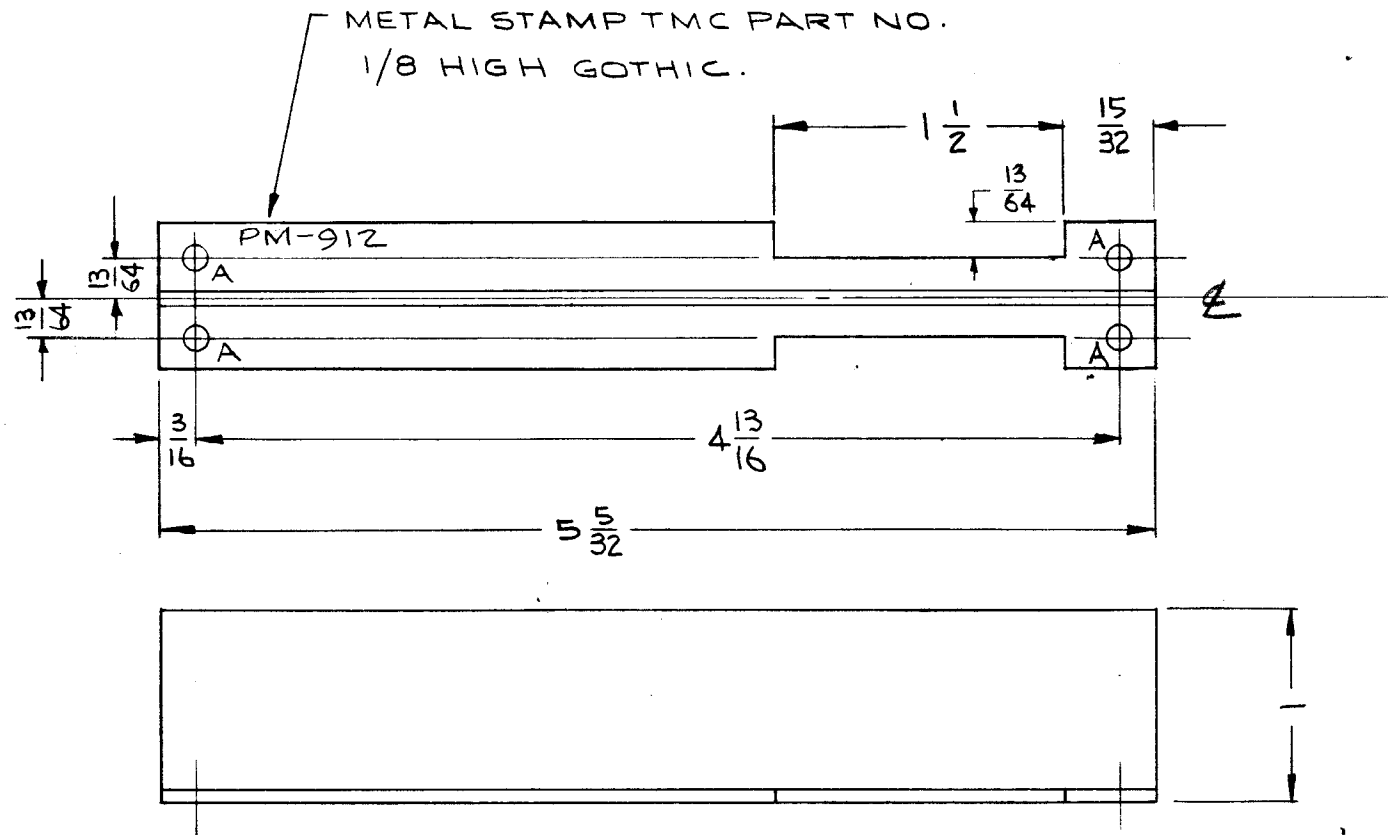


PM-912

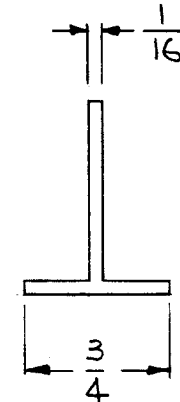
REVISIONS

SYM	DESCRIPTION	DATE	E.M.N. NO.	DRAFT	CHKD	APPD
-----	-------------	------	------------	-------	------	------



A ~ 1/8 DIA ~ 4 REQD.

NOTE:
REMOVE ALL BURRS & SHARP EDGES.



NOTES

2	TTR-10	
Q'TY./UNIT	MODEL USED ON	ASS'Y. NO.
SCALE <i>W</i>	CODE A	
THE CONTENTS OF THIS DRAWING ARE THE EXCLUSIVE PROPERTY OF THE TECHNICAL MATERIEL CORP. ITS UNAUTHORIZED USE OR REPRODUCTION IN WHOLE OR IN PART IS STRICTLY FORBIDDEN.		

REQ'D.	ITEM	PART NUMBER	DESCRIPTION	SYMBOL
	JORDAN		LIST OF MATERIAL E3037-11	
MATERIAL		THE TECHNICAL MATERIEL CORP. MAMARONECK, NEW YORK		
EXTRUDED ALUM. TEE ALCOA DIE # 2072 (6063-T5)		GUIDE, MODULE, "T" TYPE		
FINISH		TITLE		
S404 YELLOW IRIDITE		GUIDE, MODULE, "T" TYPE		
UNLESS OTHERWISE SPECIFIED DIMENSIONS ARE IN INCHES AND INCLUDE CHEMICALLY APPLIED OR PLATED FINISHES		DRAWN <i>W Jordan</i>	DATE 5-23-63	FINAL APPROVAL <i>BP</i>
		CHECKED <i>W Jordan</i>	DATE 5-23-63	
		ELECT. DES. <i>R KOHN</i>	DATE 1-16-64	PM-912
		MECH. DES. <i>W. JORDAN</i>	DATE 1/16/64	
			SHEET	REV. LTR.