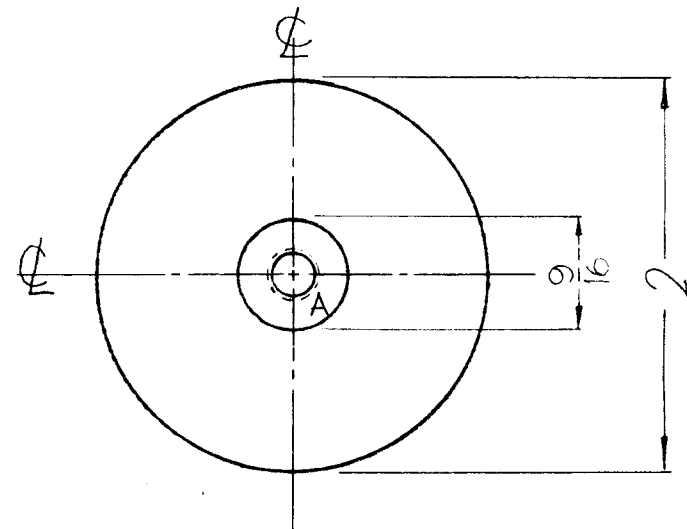


PM-903 0

REVISIONS

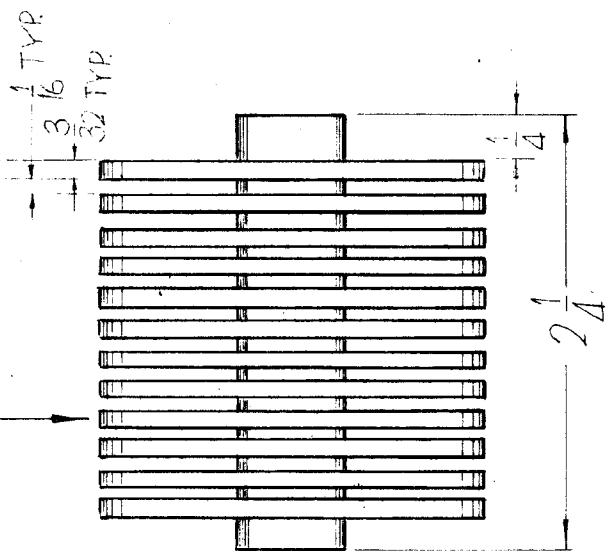
SYM	DESCRIPTION	DATE	E.M.N. NO.	DRAFT	CHKD	APPD
0	ORIGINAL RELEASE FOR PRODUCTION	3-2-64		A.M.		

(TOP)

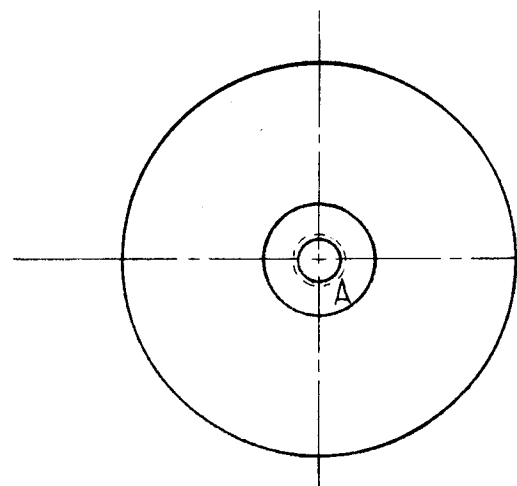


(SIDE)

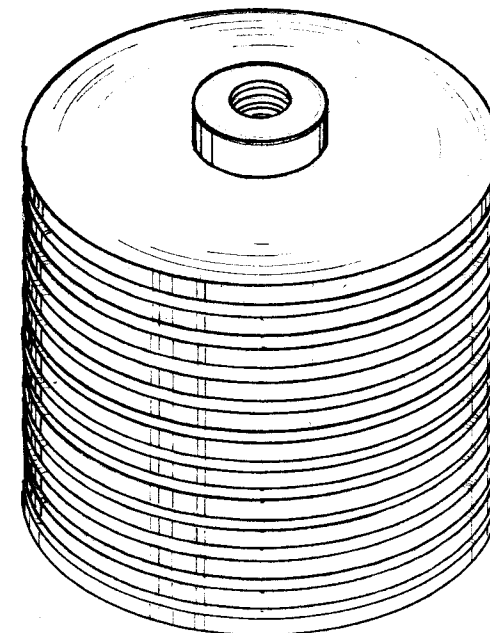
ROUND EDGES ON FINS



(BOTTOM)



"A" HOLES
DRILL & TAP FOR 1/4-20 X 1/2 DEEP



NOTE:
FOR SPARE PARTS ONLY.

REQ'D.	ITEM	PART NUMBER	DESCRIPTION	SYMBOL
--------	------	-------------	-------------	--------

LIST OF MATERIAL

MATERIAL ALUMINUM	THE TECHNICAL MATERIEL CORP. MAMARONECK, NEW YORK
----------------------	--

FINISH	TITLE FIN, RECTIFIED TUBE
--------	------------------------------

UNLESS OTHERWISE SPECIFIED DIMENSIONS ARE IN INCHES AND INCLUDE CHEMICALLY APPLIED OR PLATED FINISHES	DRAWN J F VITRO DATE 6/11/62	FINAL APPROVAL Rok	DATE
DECIMALS .X ± .05 .XX ± .01 .XXX ± .005	TOLERANCES	DATE 2/6/64	DATE 2/7/64
FRACTIONS ± 1/64 ANGLES ± 0° 30'	MECH. DES. Rok 2/6/64	DATE 2/6/64	DATE

NOTE: REF. TMC DWG TV-101

NOTES

THE CONTENTS OF THIS DRAWING ARE THE EXCLUSIVE PROPERTY OF THE TECHNICAL MATERIEL CORP. ITS UNAUTHORIZED USE OR REPRODUCTION IN WHOLE OR IN PART IS STRICTLY FORBIDDEN.

6	GPT-200K	AP-110
Q'TY./UNIT	MODEL USED ON	ASS'Y. NO.
SCALE	CODE	

PM-903	0
SHEET	REV. LTR.