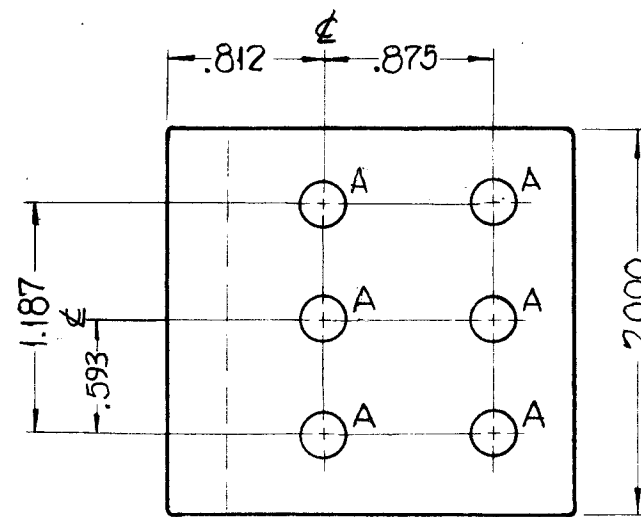
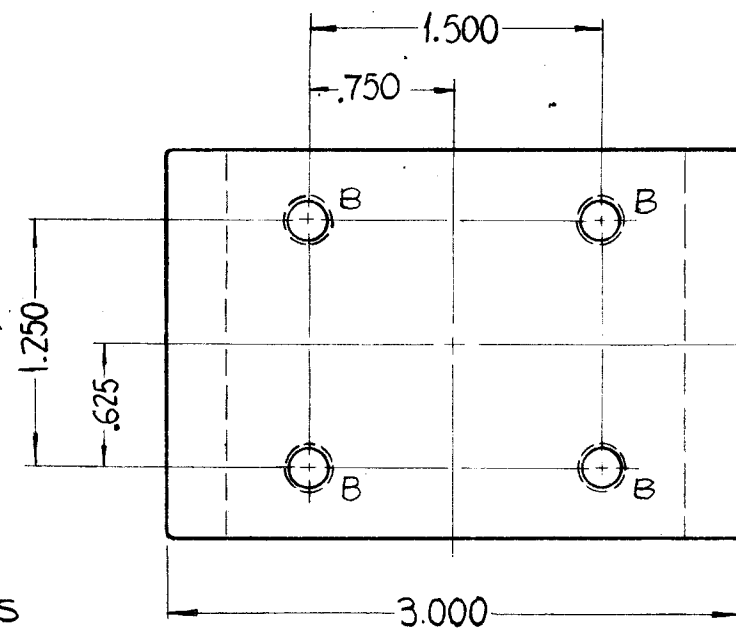
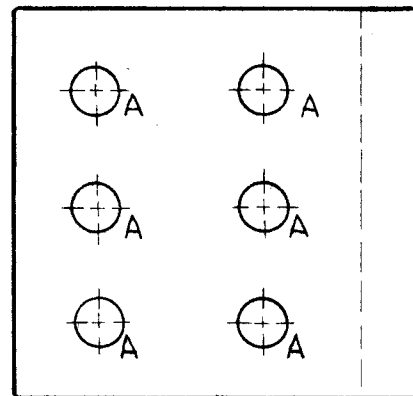
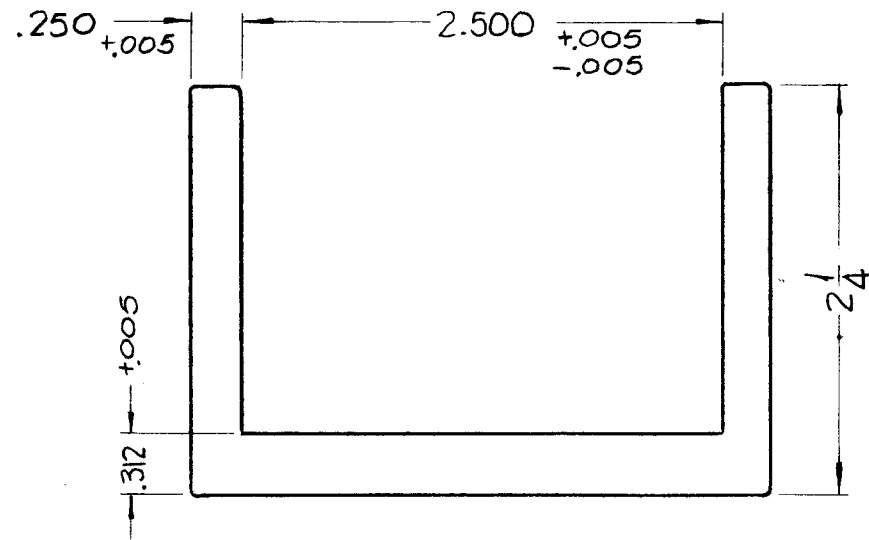


PM-888 0

REVISIONS

SYM	DESCRIPTION	DATE	E.M.N. NO.	DRAFT	CHKD	APPD
0	ORIGINAL RELEASE FOR PRODUCTION	5.18.64		WJB		



DIMENSIONS SAME AS OPPOSITE SIDE.

HOLES:

A ~ 15/64 DIA. ——— 12 REQ.
 B ~ 1/4-20 TAP ——— 4 REQ.

NOTES:

ROUND ALL CORNERS & EDGES 1/32 RADIUS.
 POLISH BEFORE PLATING
 S-245 SILVER PLATE, BRIGHT.
 S-423 IRIDITE 18-D SILVER-KOTE.

NOTES

2	GPT-200K AS-123	AX-448
Q'TY./UNIT	MODEL USED ON	ASS'Y. NO.
SCALE	CODE	

THE CONTENTS OF THIS DRAWING ARE THE EXCLUSIVE PROPERTY OF THE TECHNICAL MATERIEL CORP. ITS UNAUTHORIZED USE OR REPRODUCTION IN WHOLE OR IN PART IS STRICTLY FORBIDDEN.

REQ'D.	ITEM	PART NUMBER	DESCRIPTION	SYMBOL
--------	------	-------------	-------------	--------

F. BUDETTI LIST OF MATERIAL

MATERIAL: BRASS, HALF HARD THE TECHNICAL MATERIEL CORP. MAMARONECK, NEW YORK

FINISH: SEE NOTES TITLE: U-BRACKET, CONTACT & LEG MTG (TF-1)

UNLESS OTHERWISE SPECIFIED DIMENSIONS ARE IN INCHES AND INCLUDE CHEMICALLY APPLIED OR PLATED FINISHES

DRAWN SRG	DATE 4-25-63	FINAL APPROVAL KAC	DATE
CHECKED	DATE		

DECIMALS .X ± .05 .XX ± .01 .XXX ± .005	TOLERANCES	FRACTIONS ± 1/64 ANGLES ± 0° 30'	ELECT. DES. <i>SRG, LB</i>	DATE <i>4/25/63</i>	DATE <i>3/17/61</i>	PM-888	0
						SHEET	REV. LTR.