

THE CONTENTS OF THIS DRAWING ARE THE EXCLUSIVE PROPERTY OF THE TECHNICAL MATERIEL CORP. ITS UNAUTHORIZED USE FOR REPRODUCTION IN WHOLE OR IN PART IS STRICTLY FORBIDDEN.

REQ. PER UNIT

1

MODEL
GPT-200K (AX-395)

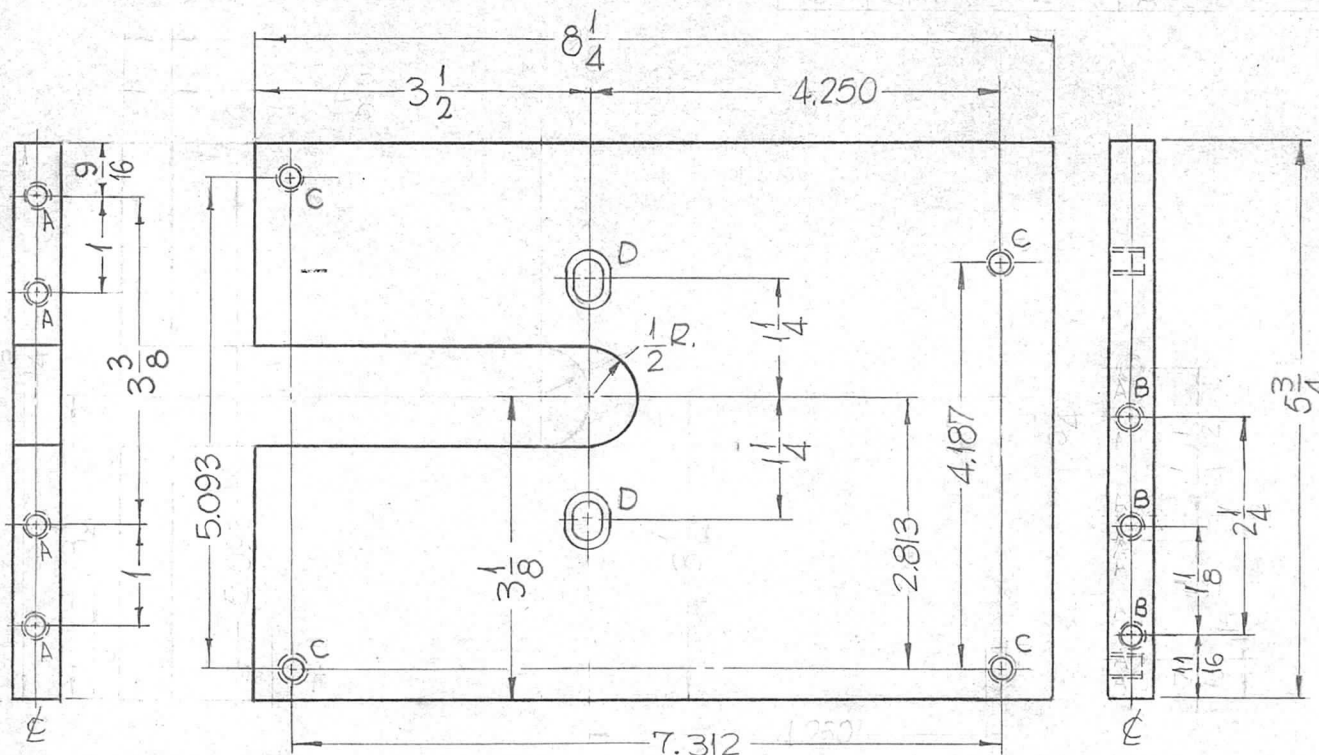
USED ON

ASS'Y. NO.
A-3237

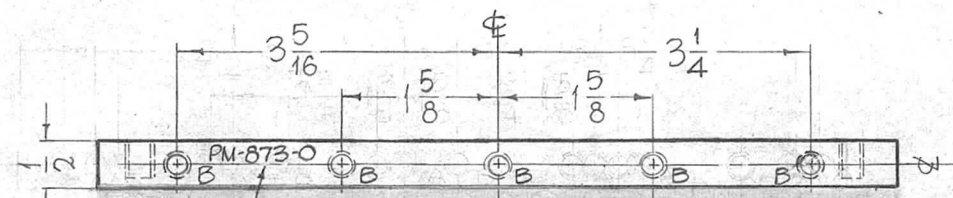
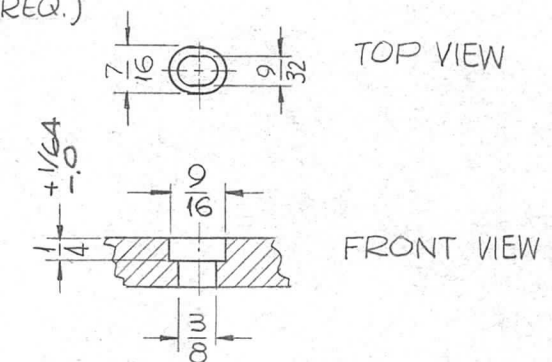
DATE

4-17-63

PM-873 0



HOLES:
A~DRILL & TAP FOR 10-32 X 9/16 DEEP (4REQ.)
B~DRILL & TAP FOR 1/4-20 X 9/16 DEEP (8REQ.)
C~DRILL & TAP FOR 1/4-20 X 3/8 DEEP (4REQ.)



METAL STAMP TMC PART NO. 1/8 HIGH GOTHIC.

REQ.	ITEM	PART NO.	F. BUDETTI	DESCRIPTION	SYMBOL	
		1/2 THICK		THE TECHNICAL MATERIEL CORP.		
		STOCK SIZE		MAMARONECK.		
		ALUMINUM		NEW YORK		
		MATERIAL		PLATE, SIDE, LEFT (3)		
0	ORIGINAL RELEASE FOR PRODUCTION	3-3-64				
SYM	DESCRIPTION	DATE	CH. NO.	DRAFTS	CHECKER	ENG. APP.
	UNLESS OTHERWISE SPECIFIED DIMENSIONS ARE IN INCHES AND INCLUDE CHEMICALLY APPLIED OR PLATED FINISHES	SCALE				
	DECIMALS .X ± .05 .XX ± .01 .XXX ± .005	FRACTIONS ± 1/64 ANGLES ± 0° 30'	CODE A			
	TOLERANCES					
		2024-T4		SRG	aaqrb	RJC 3/30/64
		TYPE & TEMPER	HEAT TREAT. SPEC.	DRAWN	CHECKED	FINAL APPROVAL
		S-245 SILVER PLATE, BRIGHT		2B AB	BC	PM-873 0
		FINISH & SPEC. NO.		ELEC. DES. APP.	MECH. DES. APP.	