

THE CONTENTS OF THIS DRAWING ARE THE EXCLUSIVE PROPERTY OF THE TECHNICAL MATERIEL CORP. ITS UNAUTHORIZED USE OR REPRODUCTION IN WHOLE OR IN PART IS STRICTLY FORBIDDEN.

REQ. PER UNIT
4

MODEL
GPT-200K

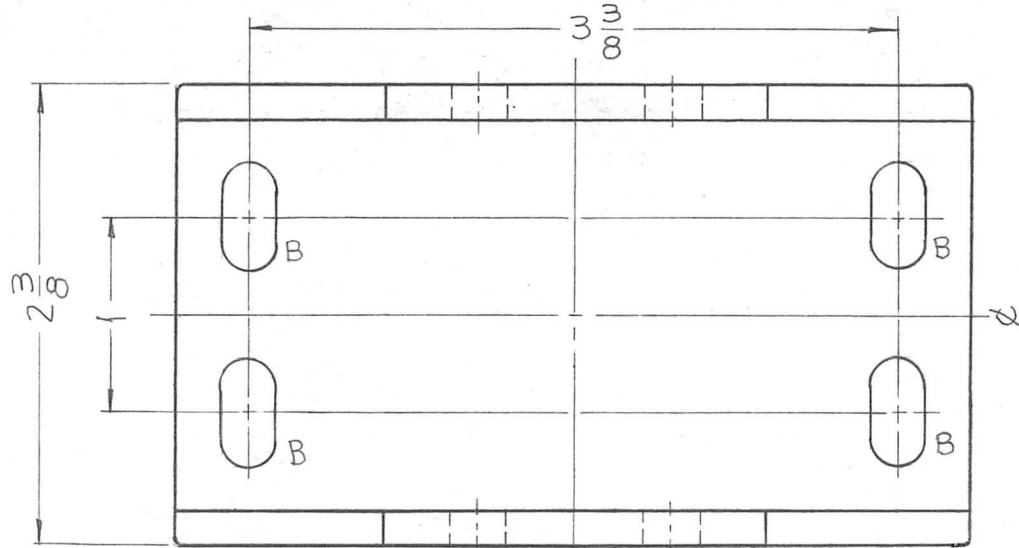
USED ON

ASS'Y. NO.
AS-123

DATE
12-7-62

PM-847

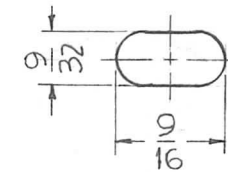
0



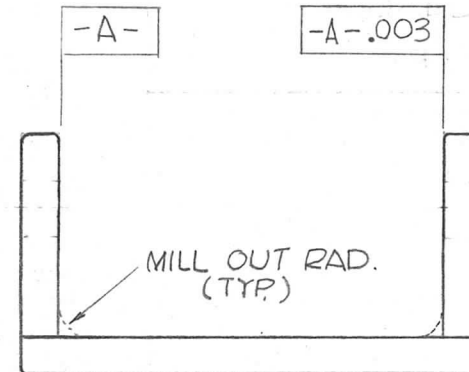
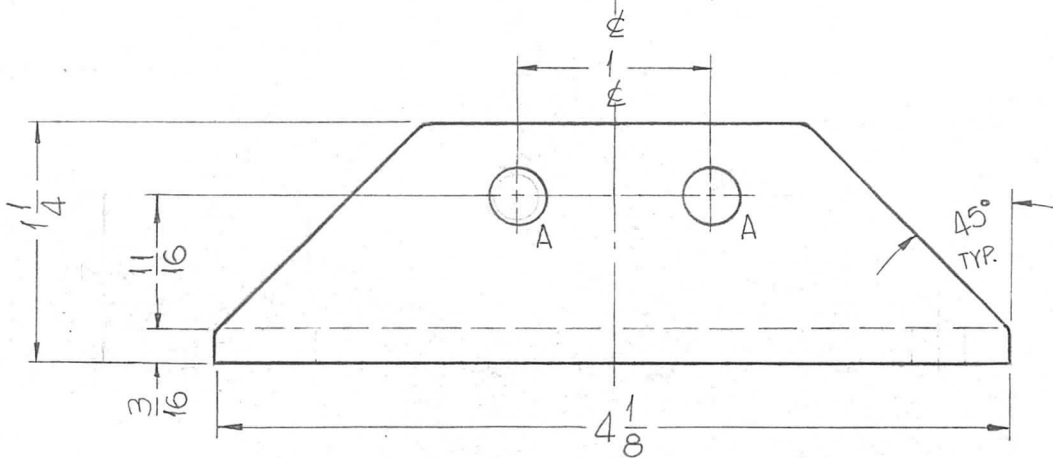
HOLES:

A - 9/32 DIA. (4 REQ.)

B - SEE DETAIL



B-DETAIL
(4 REQ.)



NOTE: ROUND EDGES & CORNERS 1/32 RADIUS

						REQ. ITEM	PART NO.	F. BUDETTI DESCRIPTION			SYMBOL	
							1-1/4 X 2-3/8 X 1-1/4 X .188	THE TECHNICAL MATERIEL CORP. MAMARONECK, NEW YORK				
							STOCK SIZE					
							EXTRUDED ALUMINUM	SUPPORT, LEG				
							MATERIAL					
SYM	DESCRIPTION	DATE	CH. NO.	DRAFTS	CHECKER	ENG. APP.	DIE NO. 2296	SRG	aa	Roe		
UNLESS OTHERWISE SPECIFIED: DIMENSIONS ARE IN INCHES		SCALE:					TYPE & TEMPER	HEATTREAT. SPEC.	DRAWN	CHECKED	FINAL APPROVAL	
TOLERANCES ON FRAC. ± 1/64 DEC. ± .005 ANGLES ± 1/2°		MAXIMUM ALLOWABLE TOLERANCES HAVE BEEN DETERMINED AND ANY DEVIATIONS WILL BE CAUSE FOR REJECTION. REMOVE ALL BURRS AND SHARP EDGES					S404 YELLOW IRIDITE				PM-847 0	
						FINISH & SPEC. NO.	ELEC. DES. APP.	MECH. DES. APP.				