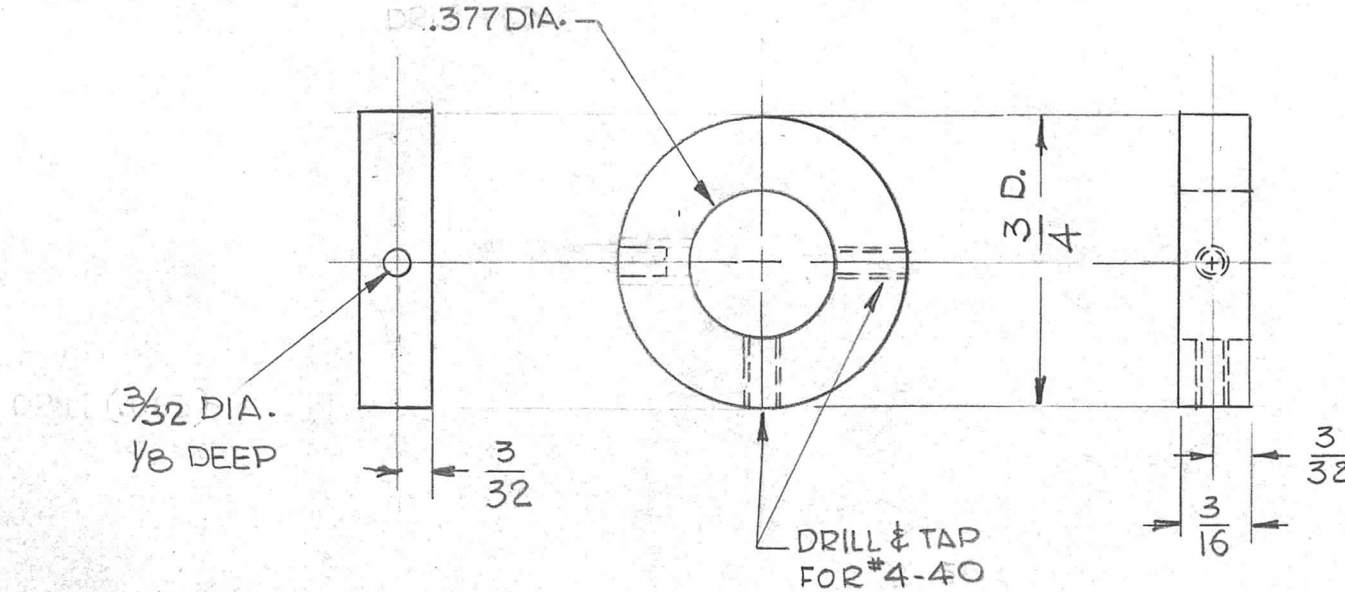


THE CONTENTS OF THIS DRAWING ARE THE EXCLUSIVE PROPERTY OF THE TECHNICAL MATERIEL CORP. ITS UNAUTHORIZED USE FOR REPRODUCTION IN WHOLE OR IN PART IS STRICTLY FORBIDDEN.

REQ. PER UNIT	USED ON		
	MODEL	ASS'Y. NO.	DATE
1	GPR-92	A-3128	2-21-62

PM-833 A



REQ.	ITEM	PART NO.	STRUMER DESCRIPTION				SYMBOL
		3/4 O.D.	THE TECHNICAL MATERIEL CORP.				
		STOCK SIZE	MAMARONECK, NEW YORK				
		ALUMINUM	COLLAR, SHAFT				
		MATERIAL					
		2024-T3	G.D.L.	J.H.	BP		
		TYPE & TEMPER	DRAWN	CHECKED	FINAL APPROVAL		
		S404 IRIDITE	JMA	MP	PM-833	A	
		FINISH & SPEC. NO.	ELEC. DES. APP.	MECH. DES. APP.			

UNLESS OTHERWISE SPECIFIED DIMENSIONS ARE IN INCHES AND INCLUDE CHEMICALLY APPLIED OR PLATED FINISHES		SCALE	
		DO NOT SCALE	
DECIMALS	FRACTIONS	CODE	
.X ± .05	± 1/64		
.XX ± .01	ANGLES		
.XXX ± .005	± 0° 30'		