

THE CONTENTS OF THIS DRAWING ARE THE EXCLUSIVE PROPERTY OF THE TECHNICAL MATERIEL CORP. ITS UNAUTHORIZED USE FOR REPRODUCTION IN WHOLE OR IN PART IS STRICTLY FORBIDDEN.

REQ. PER UNIT

4

USED ON

MODEL

RAK-21

ASS'Y. NO.

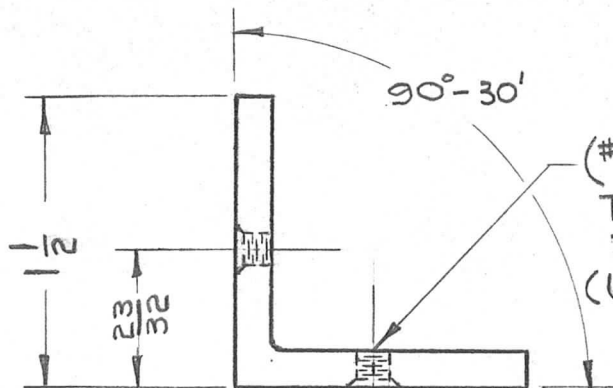
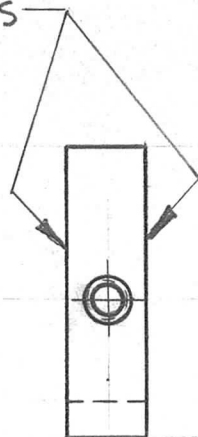
A-3126

DATE

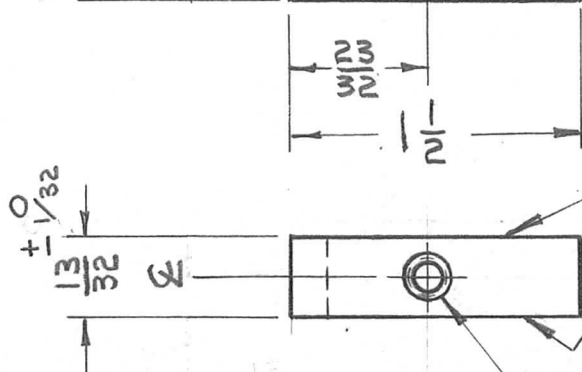
12-26

PM-826

THESE SURFACES TO BE FREE OF BURRS



(#21).159 DIA
TAP #10-32 NF
2 HOLES
(USE DRILL JIG)



THESE SURFACES TO BE FREE OF BURRS

CSK 82° x .250 DIA
2 PLACES

NOTES:

1. REMOVE ALL BURRS AND SHARP EDGES

REQ.	ITEM	PART NO.	DESCRIPTION	SYMBOL
		1 1/2 x 1 1/2 x 3/16 THK	THE TECHNICAL MATERIEL CORP. MAMARONECK, NEW YORK	
		STOCK SIZE		
		EXTR'D ALUMINUM	BRACE, ANGLE CORNER	
		MATERIAL		
		6063-T5		
		TYPE & TEMPER	HEAT TREAT. SPEC.	
		CLEAR IRIDIPT S-404		
		FINISH & SPEC. NO.	ELEC. DES. APP.	MECH. DES. APP.
				PM-826

SYM	DESCRIPTION	DATE	CH. NO.	DRAFTS	CHECKER	ENG. APP.
	UNLESS OTHERWISE SPECIFIED DIMENSIONS ARE IN INCHES AND INCLUDE CHEMICALLY APPLIED OR PLATED FINISHES					
	SCALE	NO SCALE				
	DECIMALS .X ± .05 .XX ± .01 .XXX ± .005	FRACTIONS ± 1/64 ANGLES ± 0° 30'	CODE			