

THE CONTENTS OF THIS DRAWING ARE THE EXCLUSIVE PROPERTY OF THE TECHNICAL MATERIEL CORP. ITS UNAUTHORIZED USE FOR REPRODUCTION IN WHOLE OR IN PART IS STRICTLY FORBIDDEN.

REQ. PER UNIT

2

USED ON

MODEL

GPR-92

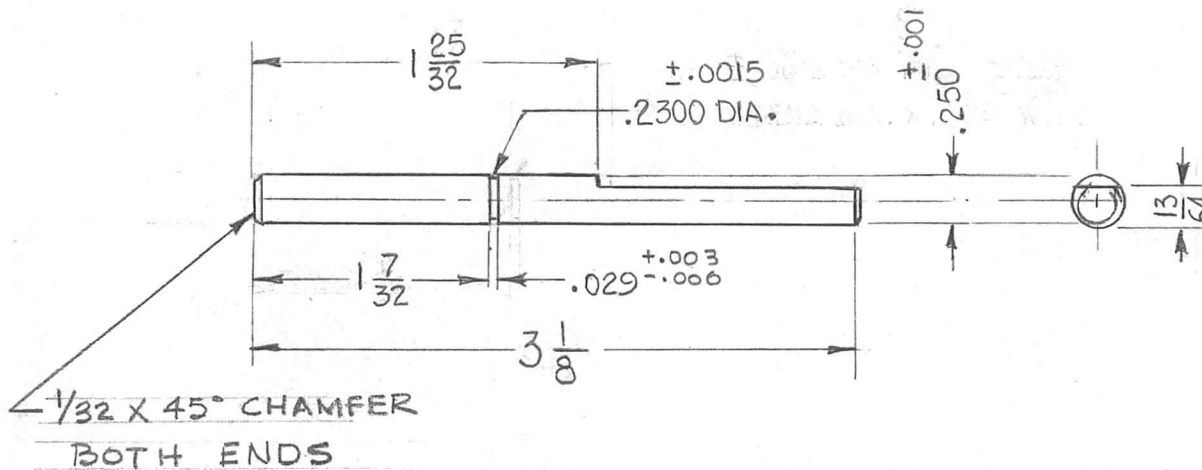
ASS'Y. NO.

A-3095

DATE

11-7-62

PM-818



REQ.	ITEM	PART NO.	STRUMER	DESCRIPTION	SYMBOL
		.250 DIA. ROD		THE TECHNICAL MATERIEL CORP. MAMARONECK, NEW YORK	
		STOCK SIZE			
		BRASS, FREE TURN		SHAFT, CAM, LOCK	
		MATERIAL			
		FREE TURNING	G.D.L.	ADG	AMA BP
		TYPE & TEMPER	DRAWN	CHECKED	FINAL APPROVAL
		HEAT TREAT. SPEC.			
		NICKEL PLATE PER S-135	AMA	D.M.	PM-818
		FINISH & SPEC. NO.	ELEC. DES. APP.	MECH. DES. APP.	

SYMBOL	DESCRIPTION	DATE	CH. NO.	DRAFTS	CHECKER	ENG. APP.

DECIMALS	FRACTIONS	TOLERANCES	CODE
.X ± .05	± 1/64		
.XX ± .01	ANGLES		
.XXX ± .005	± 0° 30'		

UNLESS OTHERWISE SPECIFIED DIMENSIONS ARE IN INCHES AND INCLUDE CHEMICALLY APPLIED OR PLATED FINISHES

SCALE DO NOT SCALE