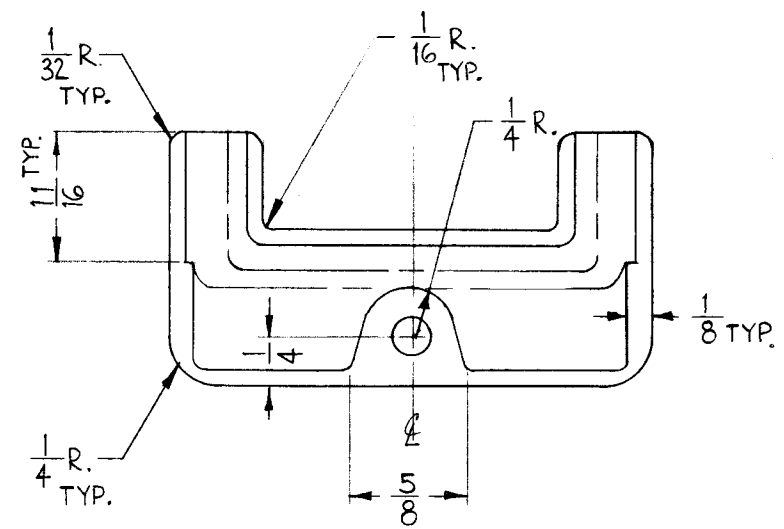
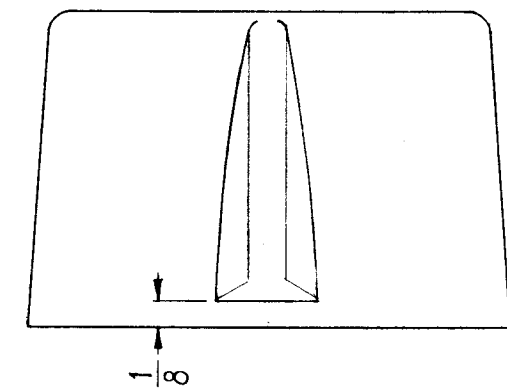
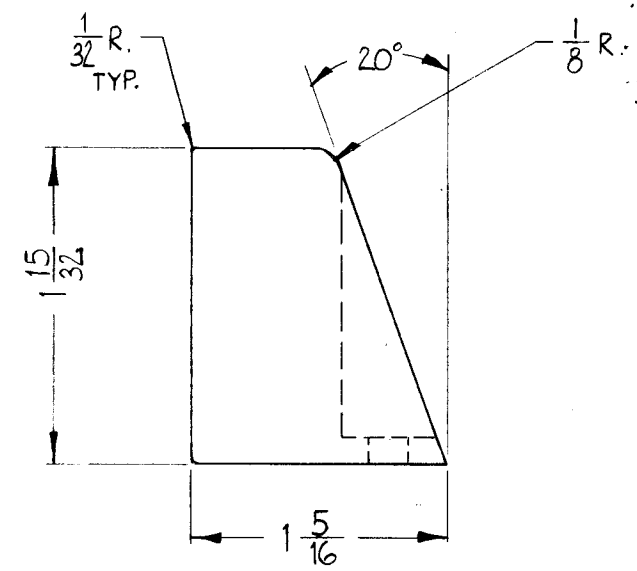
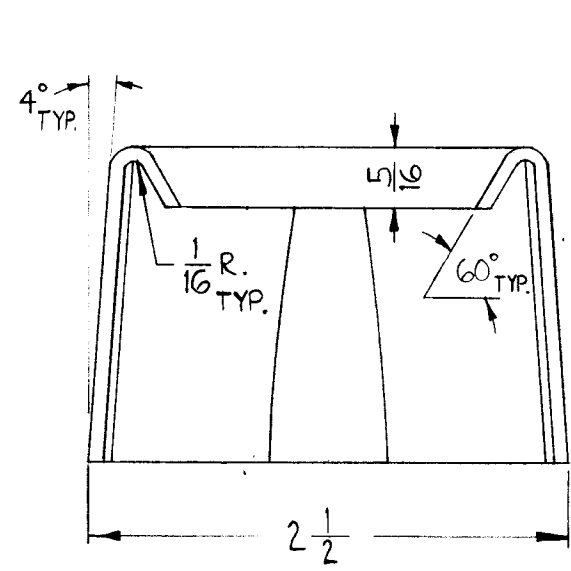


PM-810

REVISIONS

SYM	DESCRIPTION	DATE	E.M.N. NO.	DRAFT	CHKD	APPD



NOTICE TO PERSONS RECEIVING THIS DRAWING

THE TECHNICAL MATERIEL CORPORATION claims proprietary right in the material disclosed hereon. This drawing is issued in confidence for engineering information only and may not be reproduced or used to manufacture anything shown hereon without permission from THE TECHNICAL MATERIEL CORPORATION to the user. This drawing is loaned for mutual assistance and is subject to recall at any time.

Property of:
THE TECHNICAL MATERIEL CORPORATION
MAMARONECK, NEW YORK

REQ'D.	ITEM	PART NUMBER	DESCRIPTION	SYMBOL
LIST OF MATERIAL				
J. STRUMER			THE TECHNICAL MATERIEL CORP. MAMARONECK, NEW YORK	
MATERIAL	.078 THK. CAST TIN		TITLE END PIECE, BEZEL	
FINISH	250 OUTSIDE			
UNLESS OTHERWISE SPECIFIED DIMENSIONS ARE IN INCHES AND INCLUDE CHEMICALLY APPLIED OR PLATED FINISHES	DRAWN W.A. FRANCO	DATE 8-9-62	FINAL APPROVAL BP	DATE
DECIMALS .X ± .05 .XX ± .01 .XXX ± .005	TOLERANCES		DATE 8/10/62	DATE
FRACTIONS ± 1/64 ANGLES ± 0° 30'			DATE	DATE
			PM-810	
			SHEET	REV. LTR.

2	HFS-1	A-3053
Q'TY./UNIT	MODEL USED ON	ASS'Y. NO.
SCALE DO NOT SCALE	CODE	
THE CONTENTS OF THIS DRAWING ARE THE EXCLUSIVE PROPERTY OF THE TECHNICAL MATERIEL CORP. ITS UNAUTHORIZED USE OR REPRODUCTION IN WHOLE OR IN PART IS STRICTLY FORBIDDEN.		

NOTES