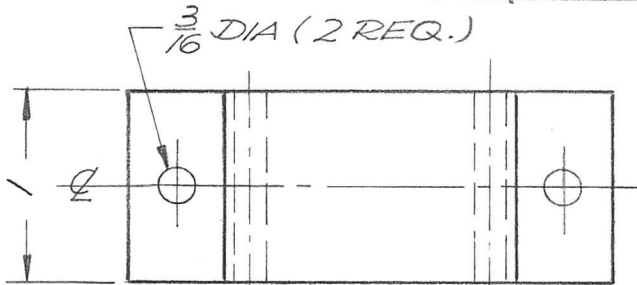
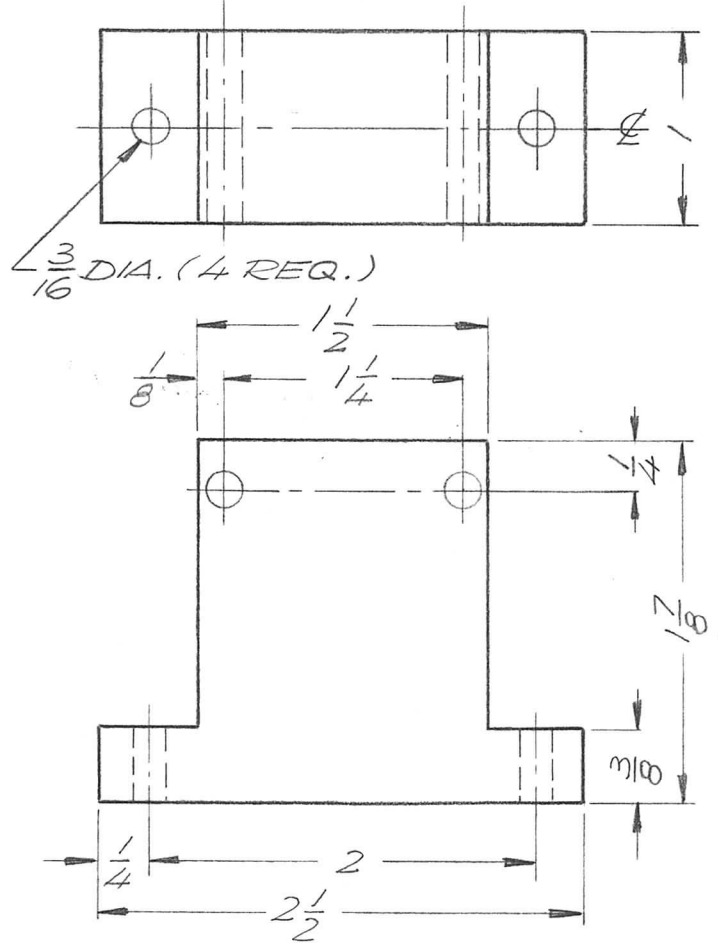
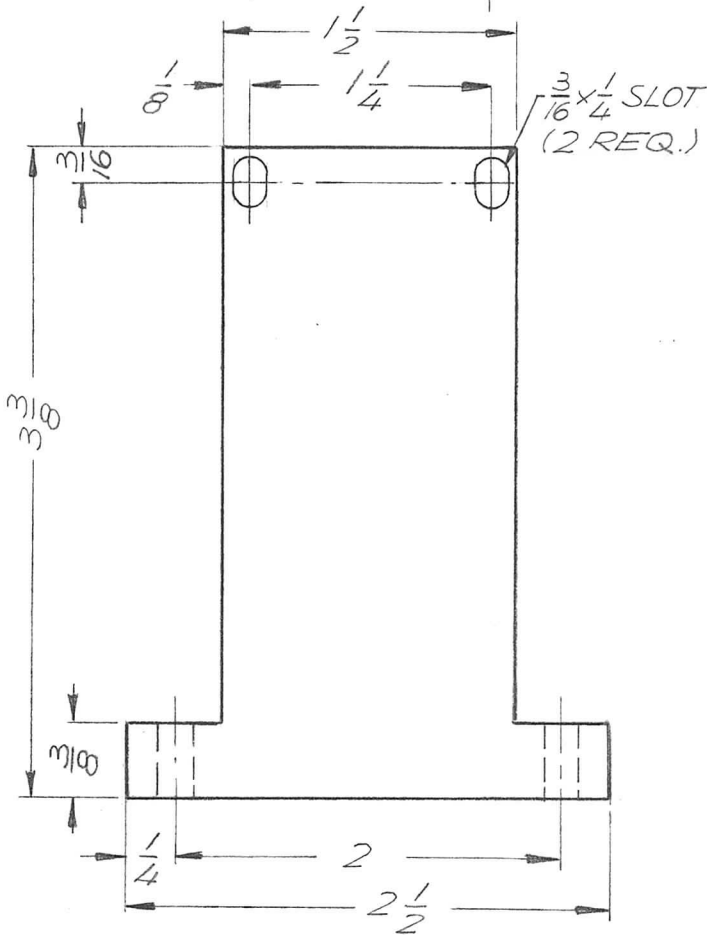


APPLICATION			REVISIONS						
QTY	MODEL USED ON	ASS'Y NO.	LTR	DESCRIPTION	DATE	E.M.N.NO	DRAFT	CHKD	APPD
	SEE CHART		X	EXP. RELEASE	11/26/68		L.H.		
			Ø	ORIG. RELEASE FOR PROD	4/1/69	Ø	R.G.		J.D.



TMC PART NO.	MODEL USED ON	QTY/LUNIT
PM 8006-1	AX 8080	1
PM 8006-2	AX 8081	1



NOTE: REMOVE ALL BURRS AND SHARP EDGES

UNLESS OTHERWISE SPECIFIED DIMENSIONS ARE IN INCHES AND INCLUDE CHEMICALLY APPLIED OR PLATED FINISHES	REQ'D	ITEM	PART NUMBER	DESCRIPTION	SYM.
DECIMALS .X ± .05 .XX ± .01 .XXX ± .005 FRACTIONS 1/64 ANGLES 0° - 30°				LIST OF MATERIAL	
				THE TECHNICAL MATERIEL CORP. MAMARONECK, NEW YORK	
MATERIAL 2024-T351 ALUMINUM				POST, MTG, GEAR	
FINISH S404 YELLOW IRIDITE					

NOTICE TO PERSONS RECEIVING THIS DRAWING THE TECHNICAL MATERIEL CORPORATION claims proprietary right in the material disclosed hereon. This drawing is issued in confidence for engineering information only and may not be reproduced or used to manufacture anything shown hereon without permission from THE TECHNICAL MATERIEL CORPORATION to the user. This drawing is loaned for mutual assistance and is subject to recall at any time.	SIZE	CODE IDENT. NO.	DWG NO.	ISS
	A	82679	PM 8006	
SCALE 1:1		SHEET		OF