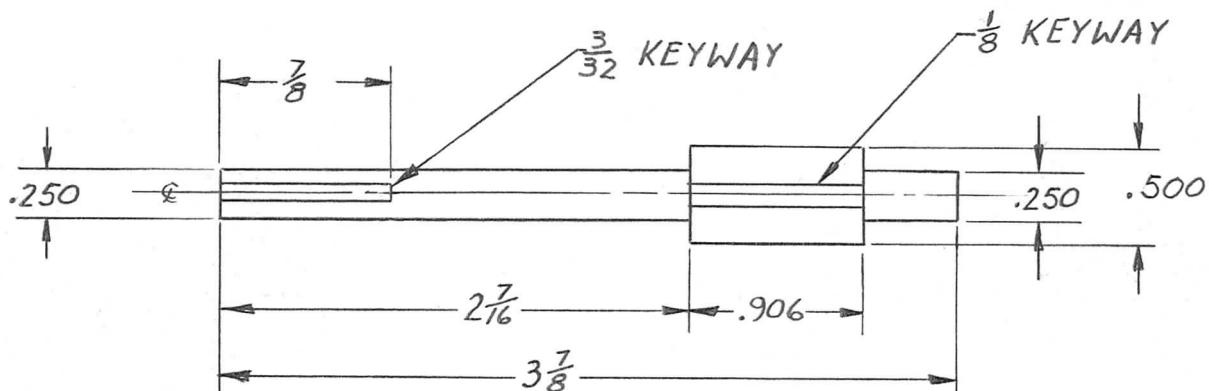


APPLICATION

REVISIONS

QTY	MODEL USED ON	ASS'Y NO.	LTR	DESCRIPTION	DATE	E.M.N.NO	DRAFT	CHKD	APPD
2	SPT-3KYHF	Ax8081	Ø	ORIG REL FOR PROD	1-3-69	H	GE		JDe



UNLESS OTHERWISE SPECIFIED DIMENSIONS ARE IN INCHES AND INCLUDE CHEMICALLY APPLIED OR PLATED FINISHES		REQ'D	ITEM	PART NUMBER	DESCRIPTION	SYM.
DECIMALS: .X ± .05 .XX ± .01 .XXX ± .005 FRACTIONS: 1/64 TOLS. ANGLES: 0°-30'		LIST OF MATERIAL				
MATERIAL ST. ST'L 303 NON MAG.		FINAL APPROVAL		DATE	THE TECHNICAL MATERIEL CORP.	
FINISH		MECH. DES.		DATE	MAMARONECK, NEW YORK	
		ELECT. DES.		DATE	SHAFT	
		CHECKED		DATE		
		DRAWN		DATE		

NOTICE TO PERSONS RECEIVING THIS DRAWING THE TECHNICAL MATERIEL CORPORATION claims proprietary right in the material disclosed hereon. This drawing is issued in confidence for engineering information only and may not be reproduced or used to manufacture anything shown hereon without permission from THE TECHNICAL MATERIEL CORPORATION to the user. This drawing is loaned for mutual assistance and is subject to recall at any time.				SIZE A	CODE IDENT. NO. 82679	DWG NO. PM8002	ISSUE Ø
SCALE			SHEET 1 OF 1				