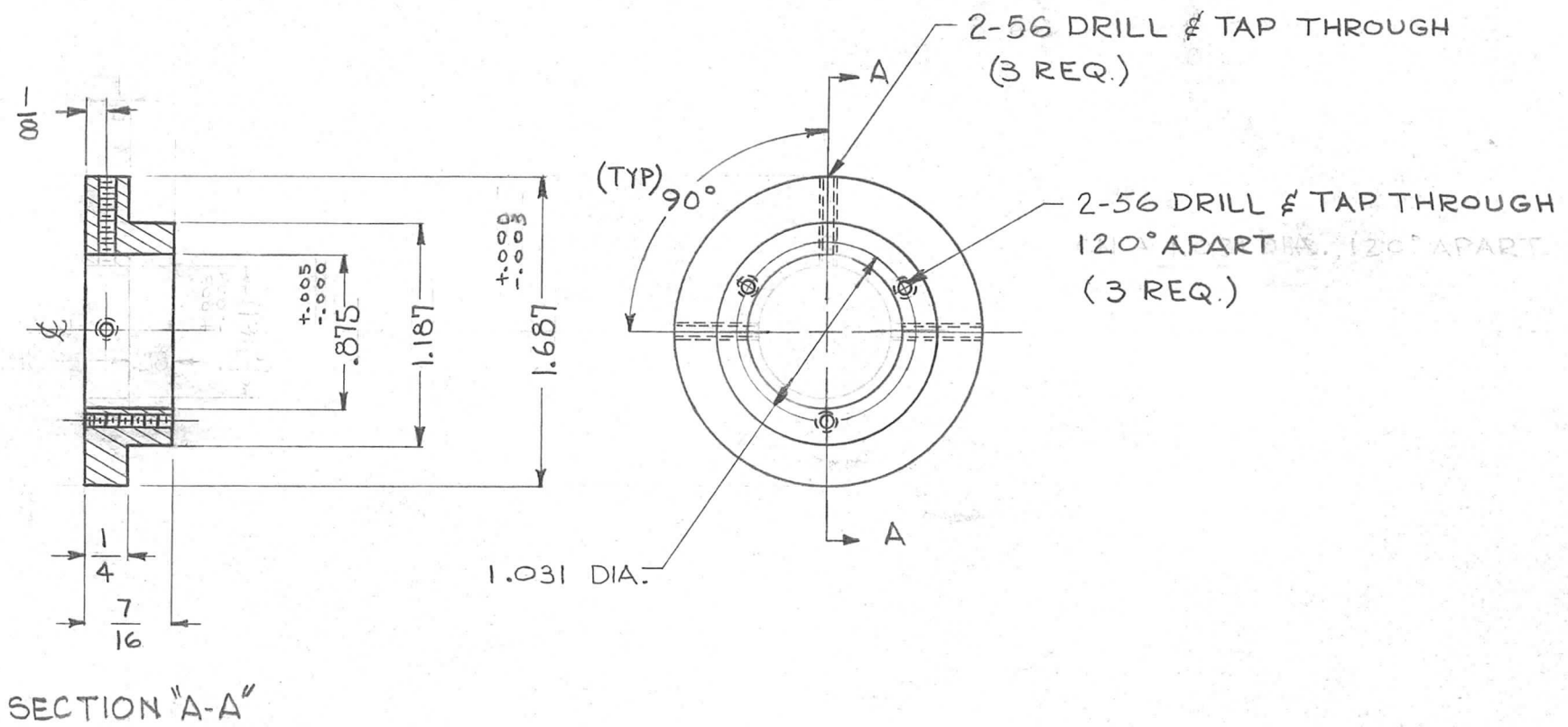


THE CONTENTS OF THIS DRAWING ARE THE EXCLUSIVE PROPERTY OF THE TECHNICAL MATERIEL CORP. ITS UNAUTHORIZED USE OR REPRODUCTION IN WHOLE OR IN PART IS STRICTLY FORBIDDEN.

REQ. PER UNIT	USED ON			PM-795	A
	MODEL	ASS'Y. NO.	DATE		
1	HFR-1		7-26-62		



						REQ.	ITEM	PART NO.	KRUY	DESCRIPTION	SYMBOL	
										THE TECHNICAL MATERIEL CORP.		
										MAMARONECK, NEW YORK		
A	.761 & .218 DIMS. DELETED	12-5-62	7765	af	JDe			ALUMINUM		BUSHING, CYLINDER MOUNTING		
SYM	DESCRIPTION	DATE	CH. NO.	DRAFTS	CHECKER	ENG. APP.						
UNLESS OTHERWISE SPECIFIED: DIMENSIONS ARE IN INCHES		SCALE: DO NOT SCALE					2024-T4			G. Sencer	JDe	BP
TOLERANCES ON FRAC. ± 1/64 DEC. ± .005 ANGLES ± 1/2°		MAXIMUM ALLOWABLE TOLERANCES HAVE BEEN DETERMINED AND ANY DEVIATIONS WILL BE CAUSE FOR REJECTION. REMOVE ALL BURRS AND SHARP EDGES					TYPE & TEMPER	HEAT TREAT. SPEC.		DRAWN	CHECKED	FINAL APPROVAL
							S404 YEL. IRIDITE			JDe		PM-795
							FINISH & SPEC. NO.			ELEC. DES. APP.	MECH. DES. APP.	A