

THE CONTENTS OF THIS DRAWING ARE THE EXCLUSIVE PROPERTY OF THE TECHNICAL MATERIEL CORP. ITS UNAUTHORIZED USE OR REPRODUCTION IN WHOLE OR IN PART IS STRICTLY FORBIDDEN.

REQ. PER UNIT

1

MODEL

HFR-1

USED ON

ASS'Y. NO.

DATE

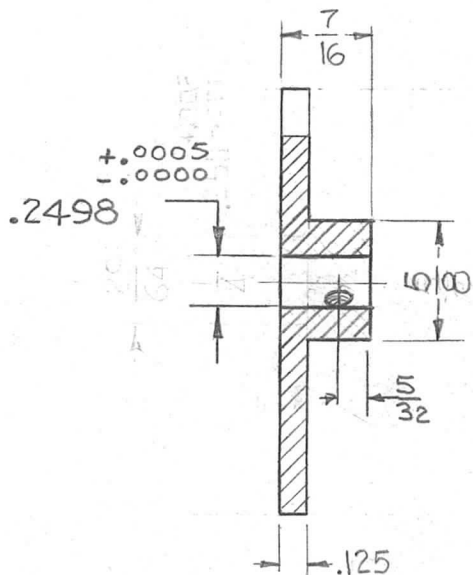
7-26-62

PM-787

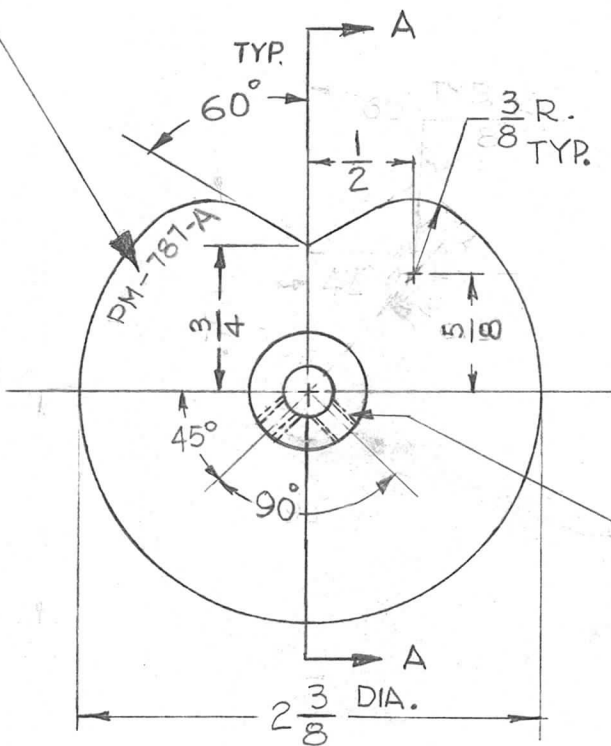
A

ROUND CORNER

METAL STAMP TMC
PART No 1/8 HIGH
GOTHIC AS SHOWN



SECTION "A-A"



DRILL & TAP FOR
6-32 SCREW
(2 Req.)

REQ.	ITEM	PART NO.	DESCRIPTION			SYMBOL
			KRUY	THE TECHNICAL MATERIEL CORP. MAMARONECK, NEW YORK		
			STAINLESS STEEL	CAM, CONTROL, DETENT		
A	6-32 TAP WAS 4-40 TAP.	12-7-62 7813				
SYM	DESCRIPTION	DATE	CH. NO.	DRAFTS	CHECKER	ENG. APP.
UNLESS OTHERWISE SPECIFIED: DIMENSIONS ARE IN INCHES TOLERANCES ON FRAC. ± 1/64 DEC. ± .005 ANGLES ± 1/2°		SCALE: DO NOT SCALE MAXIMUM ALLOWABLE TOLERANCES HAVE BEEN DETERMINED AND ANY DEVIATIONS WILL BE CAUSE FOR REJECTION. REMOVE ALL BURRS AND SHARP EDGES				
			#303	G.D.L	HQ	BP
			5104 PASSIVATE	DRAWN	CHECKED	FINAL APPROVAL
			FINISH & SPEC. NO.	ELEC. DES. APP.	MECH. DES. APP.	PM-787 A