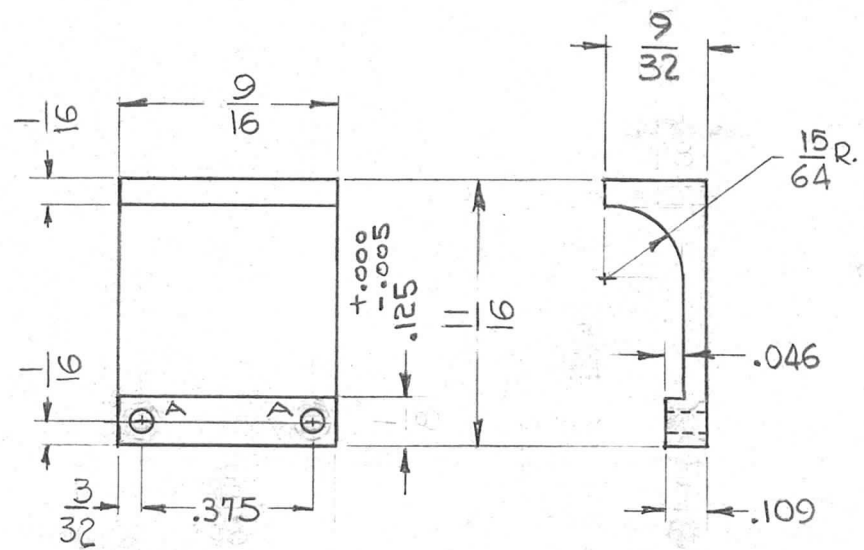


THE CONTENTS OF THIS DRAWING ARE THE EXCLUSIVE PROPERTY OF THE TECHNICAL MATERIEL CORP. ITS UNAUTHORIZED USE OR REPRODUCTION IN WHOLE OR IN PART IS STRICTLY FORBIDDEN.

REQ. PER UNIT	USED ON		
	MODEL	ASS'Y. NO.	DATE
1	HFR-1	AX-378	6-26-62

PM-783 C

A- #42 DRILL (2 REQ.)



NOTICE TO PERSONS RECEIVING THIS DRAWING
 THE TECHNICAL MATERIEL CORPORATION claims proprietary right in the material disclosed hereon. This drawing is issued in confidence for engineering information only and may not be reproduced or used to manufacture anything shown hereon without permission from THE TECHNICAL MATERIEL CORPORATION to the user. This drawing is loaned for mutual assistance and is subject to recall at any time.

Property of:
 THE TECHNICAL MATERIEL CORPORATION
 MAMARONECK, NEW YORK

SYM	DESCRIPTION	DATE	CH. NO.	DRAFTS	CHECKER	ENG. APP.	REQ.	ITEM	PART NO.	DESCRIPTION	SYMBOL
C	DIM .125 ±.000 -.005 WAS 1/8	7-28-62	11961			JK				THE TECHNICAL MATERIEL CORP. MAMARONECK, NEW YORK	C
B	9/32 DIM WAS 17/64	12-5-62	7780			JWB			STOCK SIZE		
A	DIM .375 WAS .406 #42 DRILL WAS 2-56 DRILL & CSINK	7-24-62	6952			BP			BRASS		
									MATERIAL	HOUSING, SLIDE INDICATOR	
									1/2 HARD	G.D.L	
									TYPE & TEMPER	DRAWN	
									NONE	CHECKED	
									FINISH & SPEC. NO.	FINAL APPROVAL	
										J.A.K	
											PM-783
											C

UNLESS OTHERWISE SPECIFIED:
 DIMENSIONS ARE IN INCHES
 TOLERANCES ON
 FRAC. ± 1/64 DEC. ± .005 ANGLES ± 1/2°

SCALE: DO NOT SCALE
 MAXIMUM ALLOWABLE TOLERANCES HAVE BEEN DETERMINED AND ANY DEVIATIONS WILL BE CAUSE FOR REJECTION.
 REMOVE ALL BURRS AND SHARP EDGES

1/2 HARD
 TYPE & TEMPER
 HEATTREAT. SPEC.
 DRAWN
 CHECKED
 FINAL APPROVAL
 G.D.L
 J.A.K
 PM-783
 C