

THE CONTENTS OF THIS DRAWING ARE THE EXCLUSIVE PROPERTY OF THE TECHNICAL MATERIEL CORP. ITS UNAUTHORIZED USE OR REPRODUCTION IN WHOLE OR IN PART IS STRICTLY FORBIDDEN.

REQ. PER UNIT

USED ON

HFR-1

ASS'Y. NO.

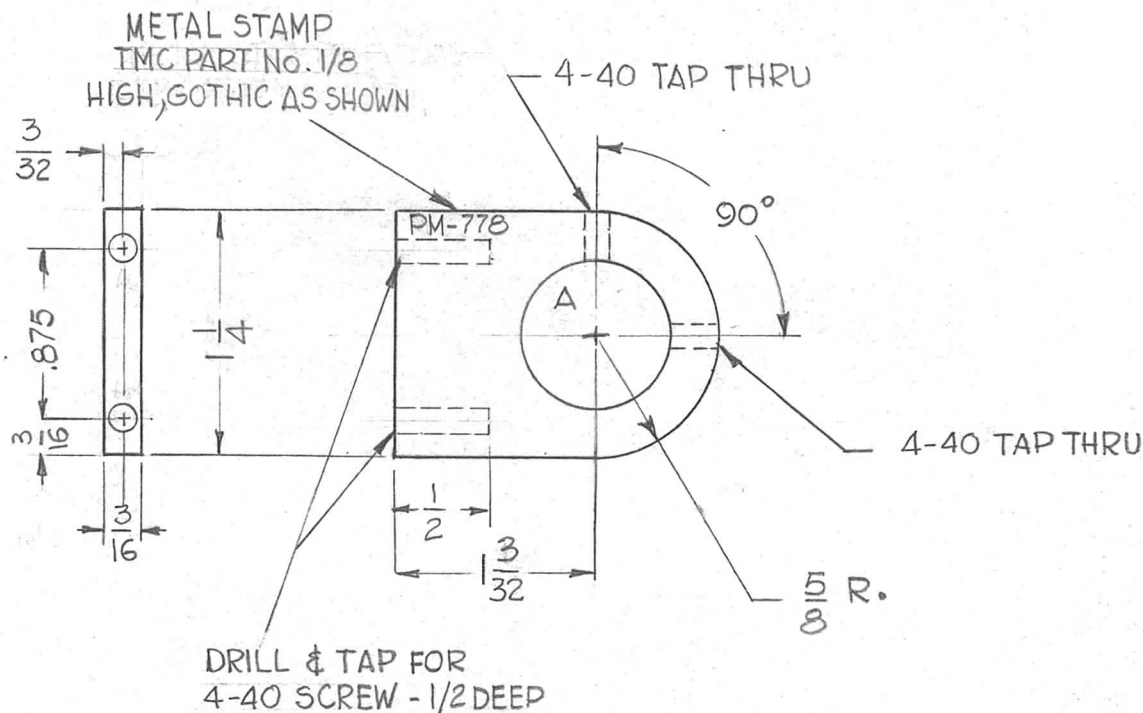
DATE

7-26-62

PM-778

~ HOLE ~

A - .750 $\begin{matrix} +.005 \\ -.000 \end{matrix}$ DIA. 1 Req.



NOTICE TO PERSONS RECEIVING THIS DRAWING

THE TECHNICAL MATERIEL CORPORATION claims proprietary right in the material disclosed herein. This drawing is issued in confidence for engineering information only and may not be reproduced or used to manufacture anything shown herein without permission from THE TECHNICAL MATERIEL CORPORATION to the user. This drawing is loaned for mutual assistance and is subject to recall at any time.

Property of:

THE TECHNICAL MATERIEL CORPORATION
MAMARONECK, NEW YORK

SYM	DESCRIPTION	DATE	CH. NO.	DRAFTS	CHECKER	ENG. APP.	REQ.	ITEM	PART NO.	DESCRIPTION	SYMBOL
									KRUY		
									3/16 THK.	THE TECHNICAL MATERIEL CORP.	
									STOCK SIZE	MAMARONECK, NEW YORK	
									ALUMINUM	BRACKET, DIAL	
									MATERIAL		
									5052-H32	G.D.L.	
									TYPE & TEMPER	CHECKED	
									HEATTREAT. SPEC.		
									S104 YELL. IRIDITE	TAK	
									FINISH & SPEC. NO.		
									ELEC. DES. APP.	MECH. DES. APP.	
											PM-778

UNLESS OTHERWISE SPECIFIED:
DIMENSIONS ARE IN INCHES.
TOLERANCES ON
FRAC. $\pm 1/64$ DEC. $\pm .005$ ANGLES $\pm 1/2^\circ$

SCALE: DO NOT SCALE
MAXIMUM ALLOWABLE TOLERANCES HAVE BEEN DETERMINED AND ANY DEVIATIONS WILL BE CAUSE FOR REJECTION.
REMOVE ALL BURRS AND SHARP EDGES