

NOTICE TO PERSONS RECEIVING THIS DRAWING

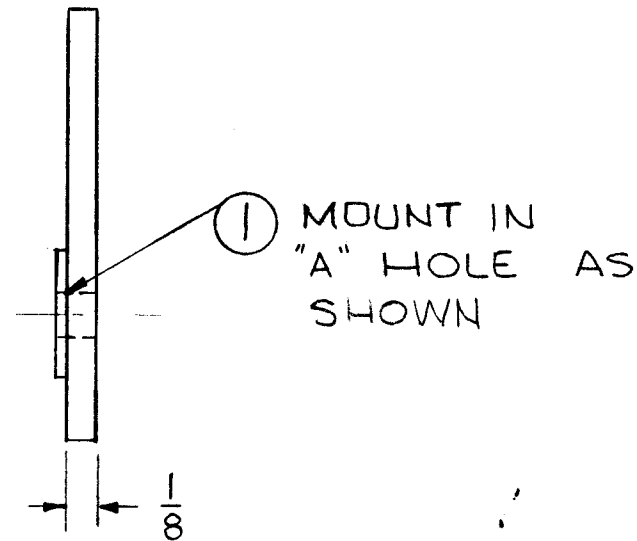
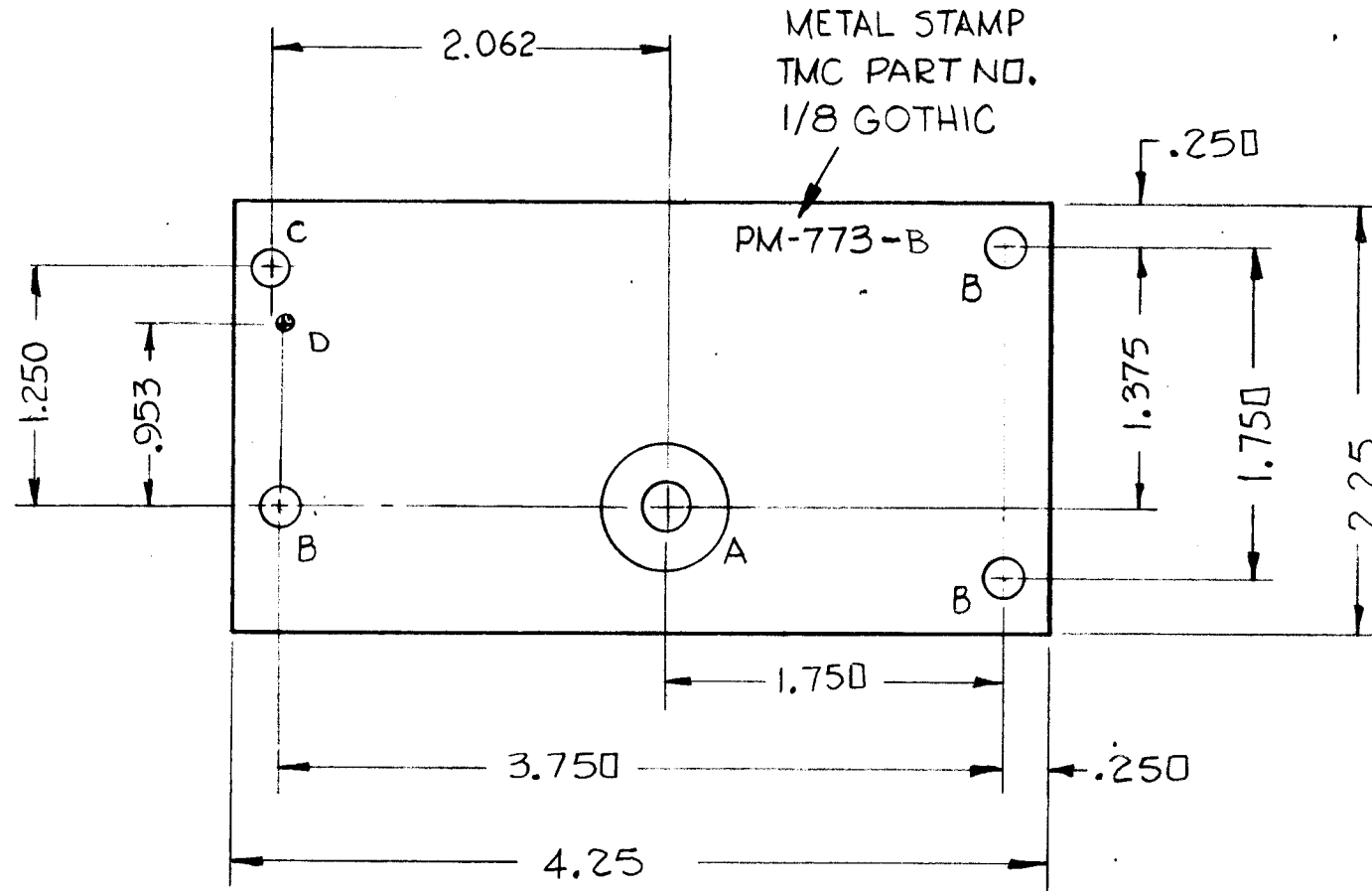
THE TECHNICAL MATERIEL CORPORATION claims proprietary right in the material disclosed hereon. This drawing is issued in confidence for engineering information only and may not be reproduced or used to manufacture anything shown hereon without permission from THE TECHNICAL MATERIEL CORPORATION to the user. This drawing is loaned for mutual assistance and is subject to recall at any time.

Property of:
THE TECHNICAL MATERIEL CORPORATION
 MAMARONECK, NEW YORK

B
PM-773

REVISIONS					
SYM	DESCRIPTION	DATE	E.M.N. NO.	DRAFT	CHKD
A	MATERIAL THICKNESS WAS .125	9-5-62	7175	ES	[Signature]
B	ITEM ① REVERSED ON RIGHT SIDE VIEW	10-8-62	7392	ES	[Signature]

- A-.6249 - .6246 DIA 1 REQ
- B- 13/64 DIA. 3 REQ
- C-.188 DIA. 1 REQ
- D-.062 DIA. 1 REQ



REQ'D.	ITEM	PART NUMBER	DESCRIPTION	SYMBOL
1	1	BB-126-5	BEARING, RACE	A
LIST OF MATERIAL				
MATERIAL			THE TECHNICAL MATERIEL CORP. MAMARONECK, NEW YORK	
.156 ALUMINUM 5052-H32			TITLE PLATE, FLY WHEEL, SUPPORT	
FINISH			DRAWN	
S404 YELLOW IRIDITE			Ruzzo	
UNLESS OTHERWISE SPECIFIED DIMENSIONS ARE IN INCHES AND INCLUDE CHEMICALLY APPLIED OR PLATED FINISHES			DATE	
			7-26-62	
DECIMALS			CHECKED	
.X ± .05			[Signature]	
.XX ± .01			DATE	
.XXX ± .005			DATE	
TOLERANCES			DATE	
FRACTIONS			DATE	
± 1/64			7-26-62	
ANGLES			SHEET	
± 0° 30'			REV. LTR.	

Q'TY./UNIT	MODEL USED ON	ASS'Y. NO.
	HFR-1	
SCALE	CODE	
THE CONTENTS OF THIS DRAWING ARE THE EXCLUSIVE PROPERTY OF THE TECHNICAL MATERIEL CORP. ITS UNAUTHORIZED USE OR REPRODUCTION IN WHOLE OR IN PART IS STRICTLY FORBIDDEN.		

NOTES