

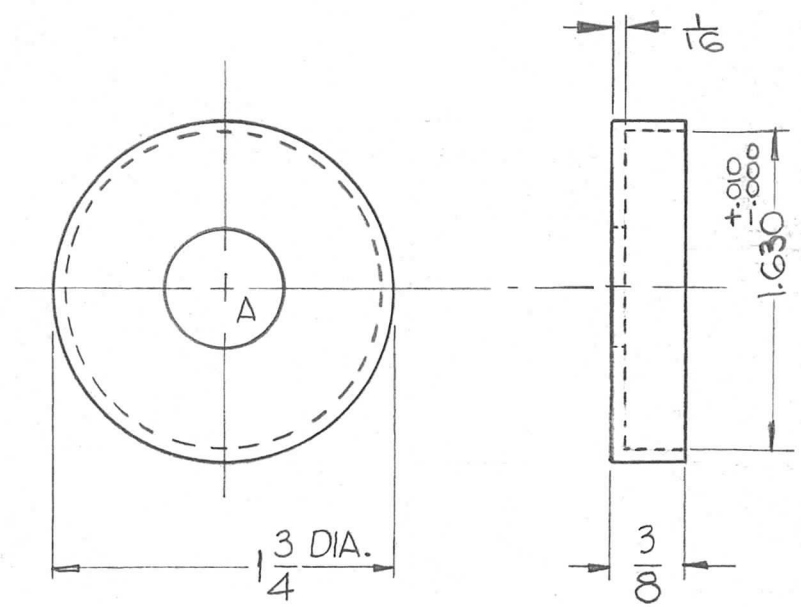
THE CONTENTS OF THIS DRAWING ARE THE EXCLUSIVE PROPERTY OF THE TECHNICAL MATERIEL CORP. ITS UNAUTHORIZED USE OR REPRODUCTION IN WHOLE OR IN PART IS STRICTLY FORBIDDEN.

REQ. PER UNIT	USED ON	
	MODEL	DATE
2	TER-5K-50	1-27-62

PM-743

A

HOLES	DESCRIPTION	REQ.
A	5/8 DIA.	1



REQ.	ITEM	PART NO.	DESCRIPTION			SYMBOL
			THE TECHNICAL MATERIEL CORP. MAMARONECK, NEW YORK			
			STOCK SIZE			
A			BRASS			CAP, CENTER CONDUCTOR,
			MATERIAL			MACHINING
			FREE MACHINING		D.J. Mamm	RUZZO
			TYPE & TEMPER	HEATTREAT. SPEC.	DRAWN	CHECKED
			NATURAL			
			FINISH & SPEC. NO.	ELEC. DES. APP.	MECH. DES. APP.	PM-743
						A

DIM. 1.630 $\pm .010$ WAS 1 1/16 $\pm 1/64$
STOCK SIZE WAS 1/16, 1/16 DIM ADDED

UNLESS OTHERWISE SPECIFIED:
DIMENSIONS ARE IN INCHES
TOLERANCES ON
FRAC. $\pm 1/64$ DEC. $\pm .005$ ANGLES $\pm 1/2^\circ$

SCALE: Do Not Scale

MAXIMUM ALLOWABLE TOLERANCES HAVE BEEN DETERMINED AND ANY DEVIATIONS WILL BE CAUSE FOR REJECTION.
REMOVE ALL BURRS AND SHARP EDGES

A