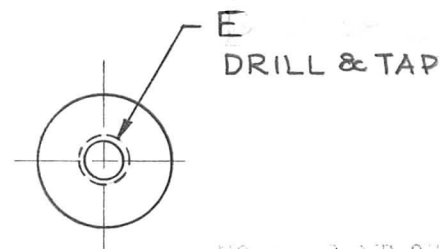
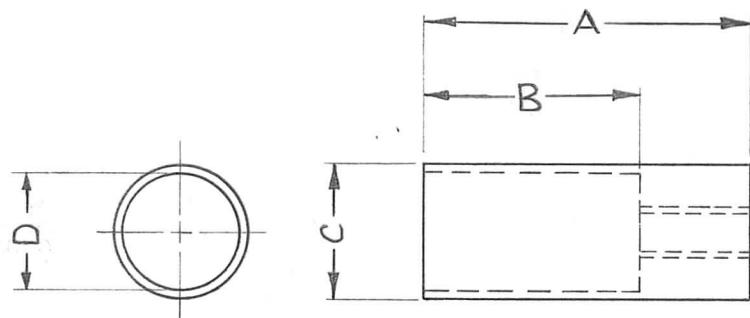


TMC PART NO.	LINE DIA.	DIM. A	DIM. B	DIM. C	DIM. D	DIM. E	REQ. PER UNIT	USED ON			PM-710	D
								MODEL	ASS'Y. NO.	DATE		
PM-710-1	1 $\frac{5}{8}$	1 $\frac{11}{16}$	1 $\frac{1}{8}$	$\frac{11}{16}$	$\frac{.587}{.589}$	1/4 -20	1	TRC-3500-700		8-29-61		
							1	TER-5000		8-29-61		
							1	AX-271	A-2113	5-24-62		
PM-710-2	7/8	1 1/2	15/16	.341	.291 \pm .002	10-32	1	AX-406		2-8-63		
PM-710-3	7/8	2 1/2	1	.341	.291 \pm .002	1/4-20	1	AX 452		5-21-64		



NOTICE TO PERSONS RECEIVING THIS DRAWING

THE TECHNICAL MATERIEL CORPORATION claims proprietary right in the material disclosed hereon. This drawing is issued in confidence for engineering information only and may not be reproduced or used to manufacture anything shown hereon without permission from THE TECHNICAL MATERIEL CORPORATION to the user. This drawing is loaned for mutual assistance and is subject to recall at any time.

Property of:

THE TECHNICAL MATERIEL CORPORATION
MAMARONECK, NEW YORK

ISSUE	ITEM	CHANGED FROM	DATE	CH. NO.	DRAFTS	CHECKER	ENG. APP.	REQ. ITEM	PART NO.	DESCRIPTION	SYMBOL										
D	1	PM-710-3 ADD. TO CHART	8.14.64	12135	KB	NO.															
C	2	ENLARGED CHART	2-8-63	8249	MJT	JEE	JEE	SEE "C" DIM.			THE TECHNICAL MATERIEL CORP. MAMARONECK, NEW YORK										
	1	ADDED PM-710-2						STOCK SIZE													
B	2	DIM. CHART ADDED	5-24-62	5753	BB	JEE	JEE	BRASS			ADAPTOR CONTACT, 50Ω,										
	1	FINISH WAS POLISH NATURAL						MATERIAL													
A	1	POLISH NATURAL, ADDED	1-31-62	6269	G.S.	JEE	JEE														
TOLERANCES			SCALE: DO NOT SCALE					1/2 HARD													
DEC. DIM. \pm			MAXIMUM ALLOWABLE TOLERANCES HAVE BEEN DETERMINED AND ANY DEVIATIONS WILL BE CAUSE FOR REJECTION. REMOVE ALL BURRS AND SHARP EDGES					TYPE & TEMPER		HEAT TREAT. SPEC.		DRAWN		CHECKED		FINAL APPROVAL					
FRAC. DIM. \pm 1/64								SILVER PLATE		SILVER KOTE IRIDITE		W.A.F.		JEE		RB/KB		PM-710		D	
ANGULAR DIM. \pm								FINISH & SPEC. NO.		ELEC. DES. APP.		MECH. DES. APP.									