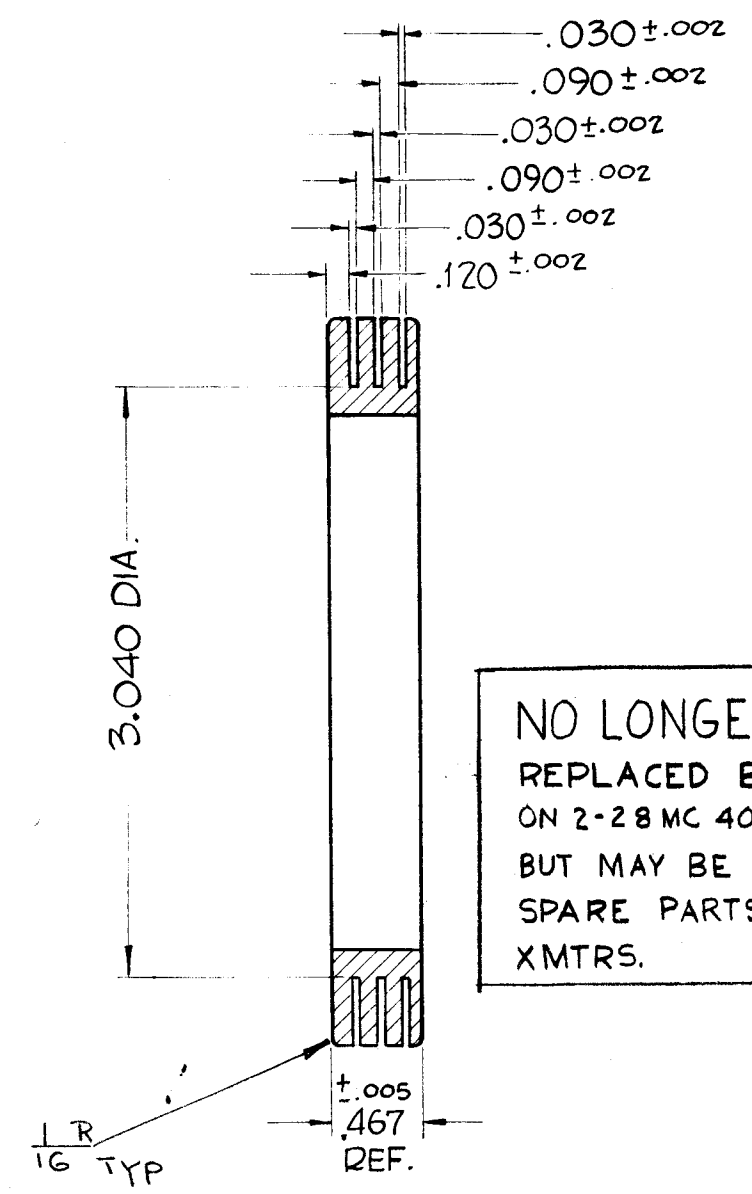
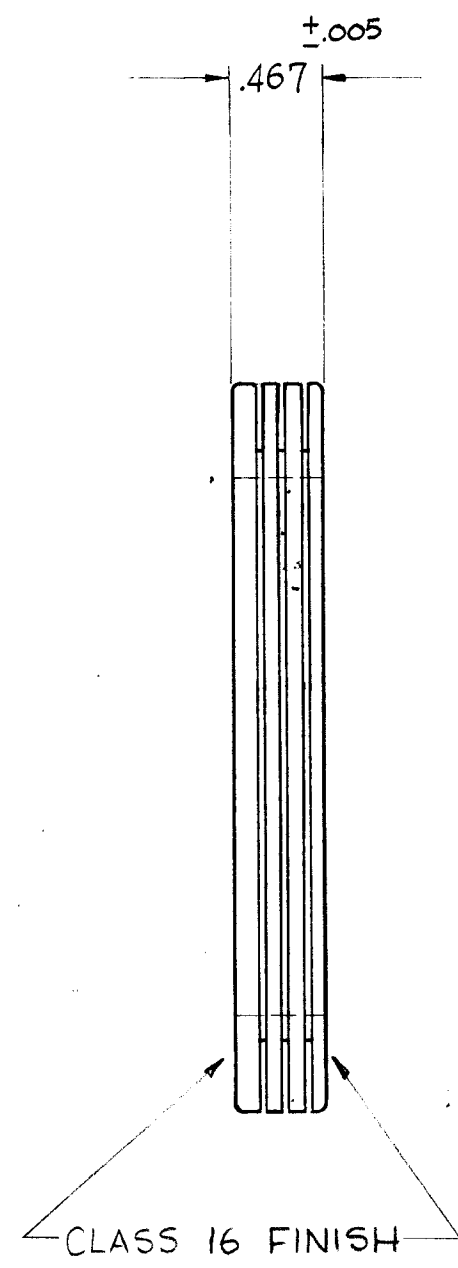
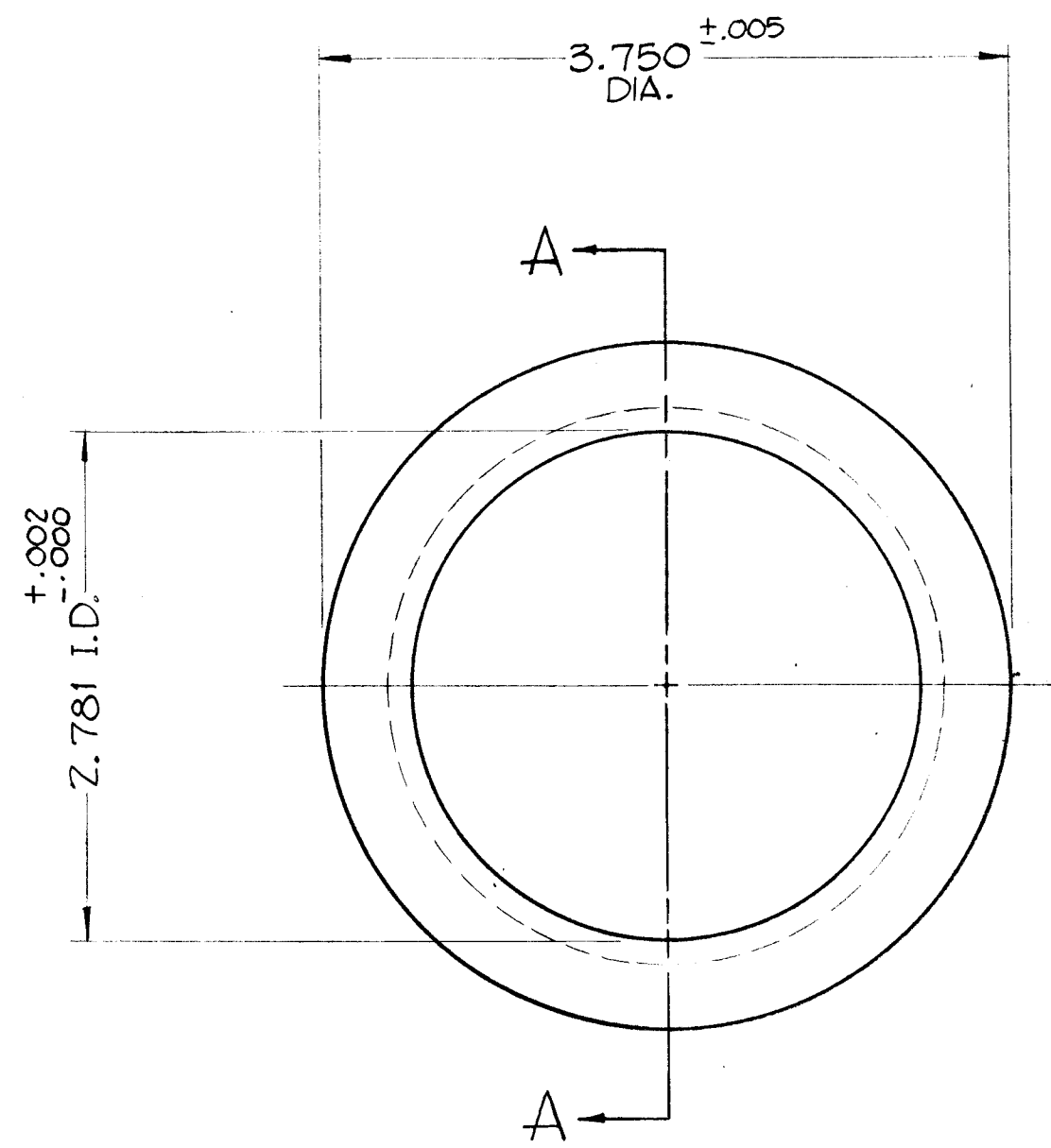


PM-703 A



NO LONGER USED
REPLACED BY PM-709
ON 2-28 MC 40K XMTRS
BUT MAY BE USED FOR
SPARE PARTS ON 4-28
XMTRS.

SECTION A - A

A	No Longer Used Note Added	11-21-61	5914	BB		
SYM	DESCRIPTION	DATE	CH. NO.	DRAFTS	CHECKER	ENG. APP.
UNLESS OTHERWISE SPECIFIED:		SCALE: DO NOT SCALE				
DIMENSIONS ARE IN INCHES		MAXIMUM ALLOWABLE TOLERANCES HAVE BEEN DETERMINED AND ANY DEVIATIONS WILL BE CAUSE FOR REJECTION. REMOVE ALL BURRS AND SHARP EDGES				
TOLERANCES ON FRACTIONS ± 1/64		DECIMALS ± .005		ANGLES ± 1/2°		

2	GPT-40K			6-22-61
REQ. PER UNIT	MODEL	SECTION	ASS'Y. NO.	DATE
USED ON				

REQ. ITEM	PART NO.	DESCRIPTION		SYMBOL
AS NOTED		THE TECHNICAL MATERIEL CORP.		
STOCK SIZE		MAMARONECK, NEW YORK		
BRASS		RING, WIPER BANDSWITCH		
MATERIAL				
SOFT		John C. Bielek		
TYPE & TEMPER	HEAT TREAT. SPEC.	DRAWN	CHECKER	FINAL APPROVAL
NONE (NATURAL)				
FINISH & SPEC. NO.		ELEC. DES. APP.	MECH. DES. APP.	PM-703 A