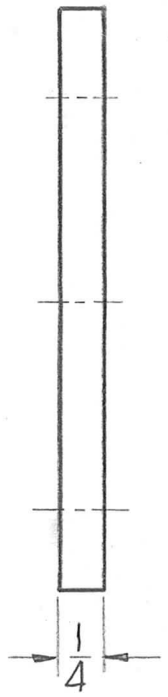
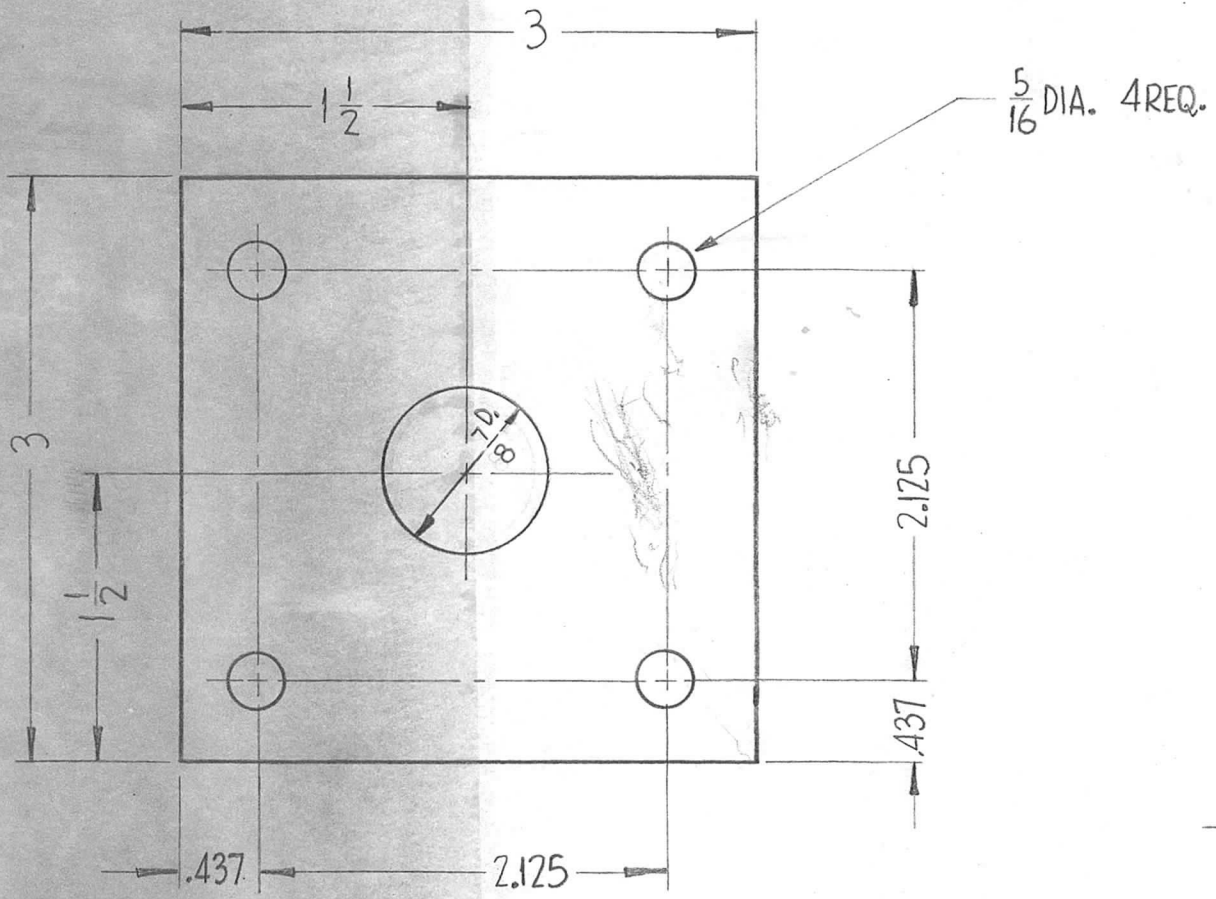


REQ. PER UNIT	USED ON			PM-695	B
	MODEL	ASSY. NO.	DATE		



NOTE:
REMOVE ALL BURRS

ISSUE	ITEM	CHANGED FROM	DATE	CH. NO.	DRAFTS	CHECKER	ENG. APP.	REQ. ITEM	PART NO.	DESCRIPTION	SYMBOL				
									.250 SHEET	THE TECHNICAL MATERIEL CORP. MAMARONECK, NEW YORK FLANGE, MOUNTING					
B	1	USED ON CHART, RAC-36 DELETED	8-17-62	7076	F.S.	<i>MD</i>	<i>LG</i>		STOCK SIZE						
A	1	7/8 Dia. Was 3/4 Dia.	11-30-61	5969	L.L.	<i>MD</i>	<i>MD</i>		ALUMINUM						
									MATERIAL						
TOLERANCES			SCALE: DO NOT SCALE					245T-3							
DEC. DIM. ± .005			MAXIMUM ALLOWABLE TOLERANCES HAVE BEEN DETERMINED AND ANY DEVIATIONS WILL BE CAUSE FOR REJECTION. REMOVE ALL BURRS AND SHARP EDGES					TYPE & TEMPER	HEAT TREAT. SPEC.	DRAWN	CHECKED	FINAL APPROVAL			
FRAC. DIM. ± 1/64															
ANGULAR DIM. ±															
								FINISH & SPEC. NO.	ELEC. DES. APP	MECH. DES. APP	PM-695 B				