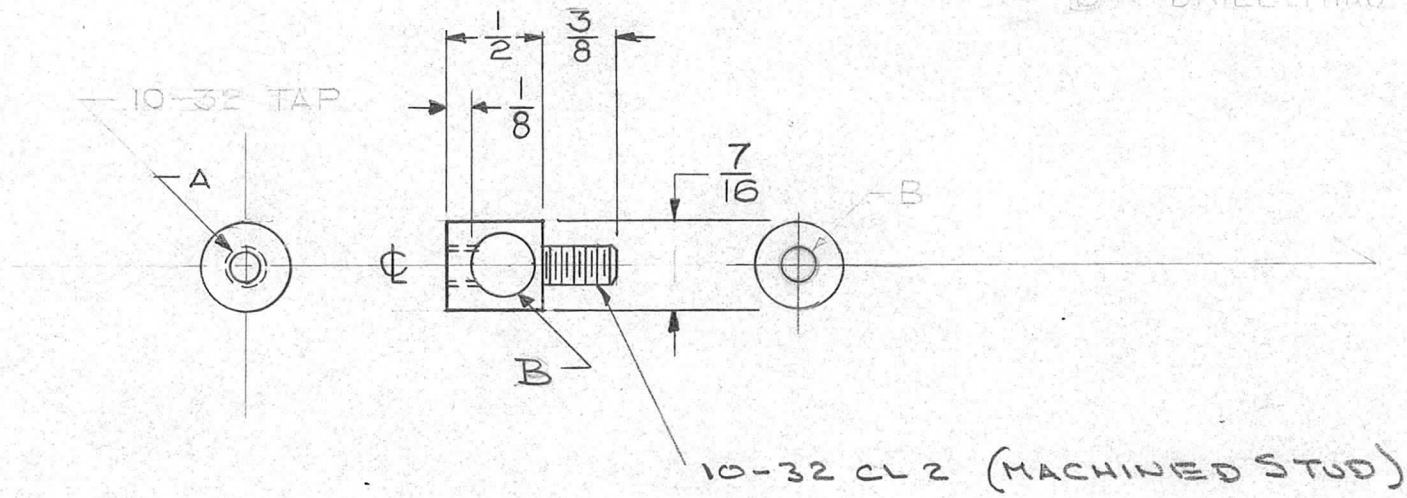


REQ. PER UNIT	USED ON			PM-636
	MODEL	ASS'Y. NO.	DATE	
5	GPT-40K	AT-101	4-5-60	

A ~ 10-32 TAP 1 REQ
 B - 5/16 DIA. STUD 1 REQ
 (MACHINED) 1 REQ
 B ~ DRILL THRU 5/16 1 REQ.



ISSUE	ITEM	CHANGED FROM	DATE	CH. NO.	DRAFTS	CHECKER	ENG. APP.	REQ.	ITEM	PART NO.	DESCRIPTION	SYMBOL	
											THE TECHNICAL MATERIEL CORP. MAMARONECK, NEW YORK CONNECTOR, COIL, STRAP		
										STOCK SIZE			
										B BRASS			
										MATERIAL			
										FREE MACHINING			
										TYPE & TEMPER	DRAWN	CHECKED	FINAL APPROVAL
										HEAT TREAT. SPEC.			PM-636
										FINISH & SPEC. NO.	ELEC. DES. APP	MECH. DES. APP	

DEC. DIM. ±
 FRAC. DIM. ± 1/64
 ANGULAR DIM. ±

SCALE:
 MAXIMUM ALLOWABLE TOLERANCES HAVE BEEN DETERMINED AND ANY DEVIATIONS WILL BE CAUSE FOR REJECTION.
 REMOVE ALL BURRS AND SHARP EDGES